

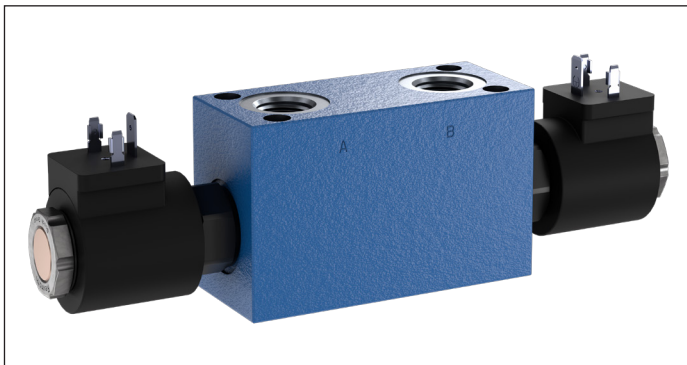
Flangeable elements with 2/2 solenoid cartridges valves

EDCMF-VEI

RE 18301-51

Edition: 10.2025

Replaces: 09.2025



Technical data

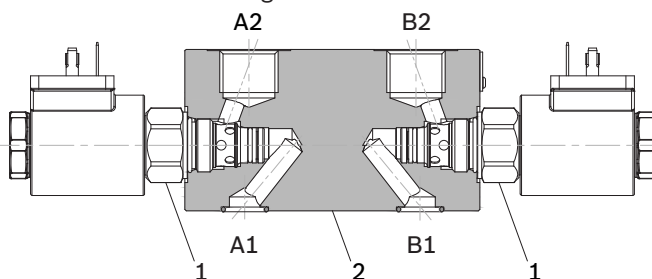
General		
Weight of manifold only, without solenoid cartridge	kg (lbs)	0.60 (1.32)
Weight with one solenoid cartridge	kg (lbs)	0.95 (2.10)
Weight with two solenoid cartridges	kg (lbs)	1.30 (2.87)
Ambient Temperature	°C (°F)	-30 to +90 (-22 to +194)
Hydraulic		
Maximum pressure	bar (psi)	250 (3625)
Maximum flow	l/min (gpm)	40 (10.5)
Hydraulic fluid	Mineral oil based hydraulic fluids HL (DIN 51524 part 1). General properties: it must have physical lubricating and chemical properties suitable for use in hydraulic systems such as, for example:	
	Mineral oil based hydraulic fluids HLP (DIN 51524 part 2). For use of environmentally acceptable fluids (vegetable or polyglycol base) please consult us.	
Fluid Temperature	°C (°F)	-20....+80 (-4....+176) (NBR)
Permissible degree of fluid contamination	ISO 4572: $\beta_{x \geq 75} X = 10 \dots 12$ ISO 4406: class 19/17/14 NAS 1638: class 8	
Viscosity range	mm ² /s	5....420

Description

The flangeable elements EDCMF-VEI-__ can be bolted on top of the A and B ports of the EDC elements of the directional valve assembly.

They incorporate one or two solenoid operated cartridge valves (1) (VEI). Different hydraulic circuits can be created by cartridge valves selection.

The body (2) of the EDCMF-VEI elements is made of black anodized aluminium. Hydraulic ports A2 and B2 can be size G 3/8, G1/2 or 3/4-16 UNF (SAE8). In addition it's available also as intermediate flangeable element.



Note

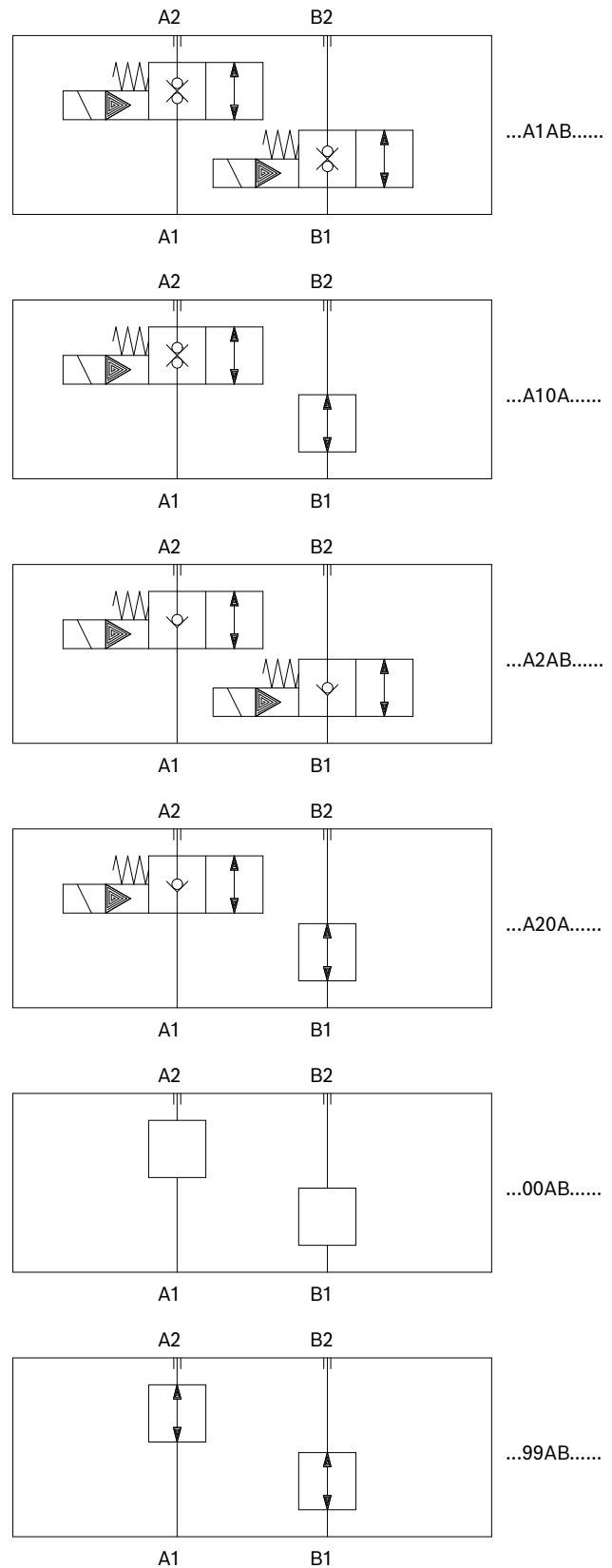
For applications with different specifications consult us

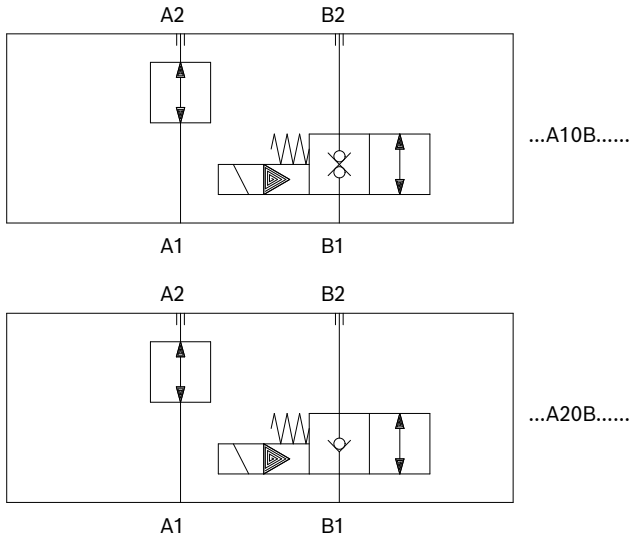
Ordering details

01	02	03	04	05	06	07	08	09
L	85	75						
Family								
01	Directional Valve							L
Model								
02	Flangeable element secondary valves for EDC							85
Type								
03	In-line 2/2 solenoid cartridges valves							75
Cartridge model¹⁾²⁾								
04	Without cartridge (cavity open), cartridge to be ordered separately							00³⁾
	Cavity plugged							99³⁾
	Normally closed, bidirectional type, double lock							A1
	Normally closed, bidirectional type, single lock							A2
Configuration								
05	Solenoid cartridges for both A and B ports							AB
	Solenoid cartridge for A port only							0A
	Solenoid cartridge for B port only							0B
Cartridge voltage supply								
06	Without coil	-	-	-	-	•		00
	12 V DC	•	•	•	•	-		0B⁴⁾
	24 V DC	•	•	•	•	-		0C⁴⁾
	48 V DC	•	-	-	-	-		0D⁴⁾
	96 V DC	•	-	-	-	-		0U⁴⁾
	205 V DC	•	-	-	-	-		AH⁴⁾
Electrical connections								
07	Without coil							00
	With coils, without mating connector DIN EN 175301-803							01⁵⁾
	With coils, with bi-directional diode, without mating connector vertical Amp-Junior							03⁵⁾
	With coils, with bi-directional diode, without mating connector horizontal Amp-Junior							04⁵⁾
	With coils, with bi-directional diode, without mating connector DT04-2P							07⁵⁾
Ports								
08	G3/8 DIN 3852							0
	G1/2 DIN 3852							2
	3/4-16 UNF 2-B (SAE8)							3
	Machined for interfacing to modular elements							M
Cartridge override options								
09	No override							0
	Knob style manual override							F
	Pull style manual override							P

- 1) For other versions available on request see data sheet RE 18323-25.
- 2) For ordering code see table "Available electrical cartridge valves and plugs"
- 3) By selecting these two "Cartridge model", the allowable "Configuration" (field 05) must be "AB".
- 4) For ordering code see table "Available 20W Electrical connections"
- 5) For connectors ordering code see data sheet RE 18325-90.

Symbols





Technical data

Available 20W Electrical connections

Code	Voltage [V]	Connector type	Coil description	Diode Type	Coil Mat no.
OB 01	12 DC	EN 175301-803	OD02360130OB00-36-K4	Not installed	R901393412
OB 03	12 DC	AMP JUNIOR Vertical	OD02361530OB00-36-C4Z	P6KE27CA	R901435507
OB 04	12 DC	AMP JUNIOR Horizontal	OD0236153POB00-36-C4	P6KE27CA	R901395031
OB 07	12 DC	DEUTSCH DT 04-2P Horiz.	OD0236223POB00-36-K40	P6KE27CA	R901394397
OC 01	24 DC	EN 175301-803	OD02360130OC00-36-K4	Not installed	R901393577
OC 03	24 DC	AMP JUNIOR Vertical	OD02361530OC00-36-C4Z	P6KE39CA	R901435494
OC 04	24 DC	AMP JUNIOR Horizontal	OD0236153POC00-36-C4	P6KE39CA	R901395035
OC 07	24 DC	DEUTSCH DT 04-2P Horiz.	OD0236223POC00-36-K40	P6KE39CA	R901394399
OD 01	48 DC	EN 175301-803	OD02360130OD00-36-K4	Not installed	R901394117
OU 01*	96DC	EN 175301-803	OD02360130OU00-36-K4	Not installed	R901394229
AH 01*	205DC	EN 175301-803	OD02360130AH00-36-K4	Not installed	R901394231

* OU and AH versions especially designed in cases of AC supply voltage (respectively for 110AC and 220 AC) to be used with wave rectifier connector. Ambient temperature range for OU and AH versions: -30°C / + 75°C

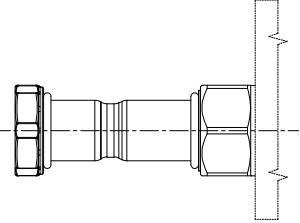
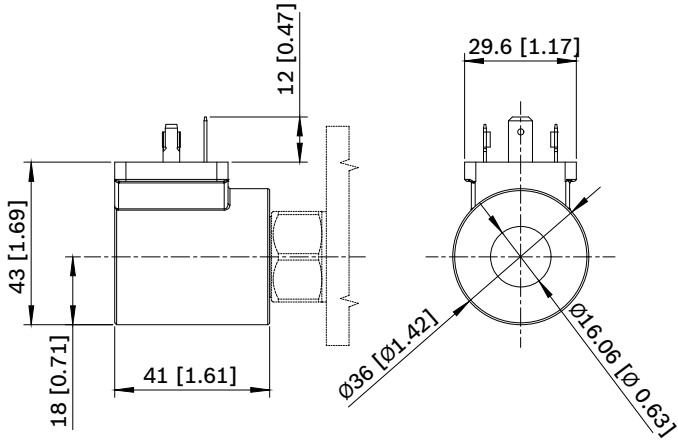
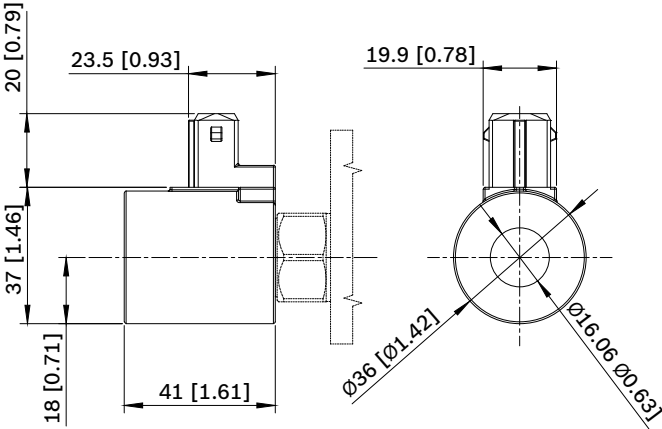
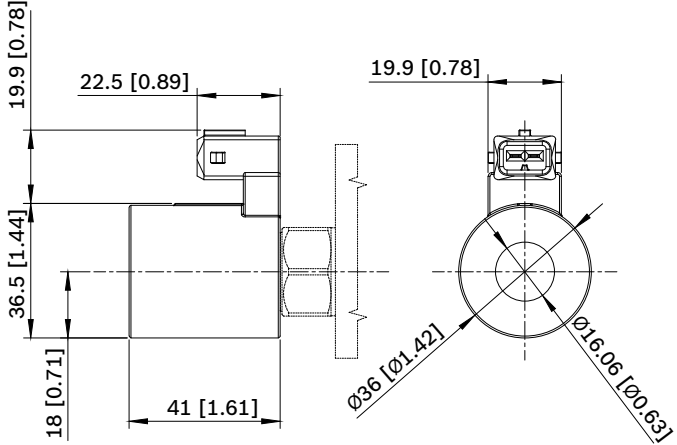
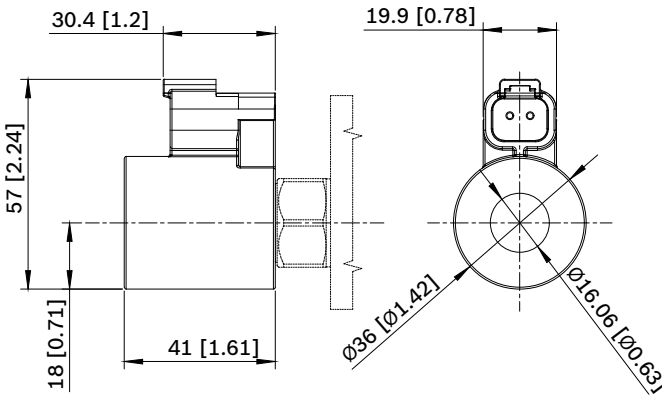
Note

For further versions (i.e. cable single lead) contact factory.

Available electrical cartridge valves and plugs

Ordering detail	Cartridge cavity	Cartridge type	Material number
00	CA-08A-2N	Without cartridge (cavity open), cartridge to be ordered separately	-
99	CA-08A-2N	Plug	R930045245
A1...0	CA-08A-2N	Normally closed, bidirectional type, double lock, no override	R930058334
A2...0	CA-08A-2N	Normally closed, bidirectional type, single lock, no override	R930058427
A1...F	CA-08A-2N	Normally closed, bidirectional type, double lock, knob style manual override	R930058898
A2...F	CA-08A-2N	Normally closed, bidirectional type, single lock, knob style manual override	R930058344
A1...P	CA-08A-2N	Normally closed, bidirectional type, double lock, pull style manual override	R930065030
A2...P	CA-08A-2N	Normally closed, bidirectional type, single lock, pull style manual override	R930060966

Electric connections

<p>00 Without coil</p> 	<p>01 Protection class: IP 65 with connector with seal is properly screwed down.</p> 
<p>03 Protection class: IP 65 with female connector properly fitted (see drawing).</p> 	<p>04 Protection class: IP 65 with female connector properly fitted (see drawing).</p> 
<p>07 Protection class: IP 69 K with female connector properly fitted (see drawing).</p> 	

Cartridge override options

<p>A1...0 A2...0</p>	<p>No override</p>	<p>A1...F A2...F</p>	<p>Knob style manual override</p>
<p>A1...P A2...P</p>	<p>Pull style manual override</p>		

Bosch Rexroth Oil Control S.p.A.

Oleodinamica LC Division
Via Artigianale Sedrio, 12
42030 Vezzano sul Crostolo
Reggio Emilia - Italy
Tel. +39 0522 601 801
Fax +39 0522 606 226 / 601 802
compact-hydraulics-cdv@boschrexroth.com
www.boschrexroth.com/compacthydraulics

© This document, as well as the data, specifications and other information set forth in it, are the exclusive property of Bosch Rexroth Oil Control S.p.a. It may not be reproduced or given to third parties without its consent. The data specified above only serve to describe the product. No statements concerning a certain condition or suitability for a certain application can be derived from our information. The information given does not release the user from the obligation of own judgment and verification. It must be remembered that our products are subject to a natural process of wear and aging. Subject to change.