

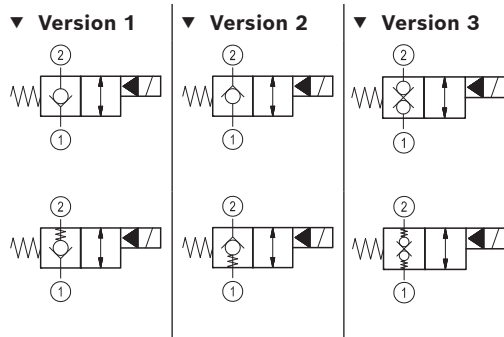
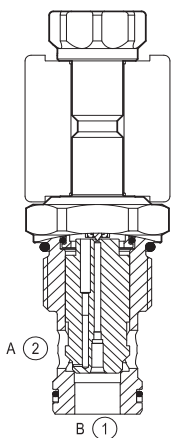
**VALVES IN PHASE OUT**  
**Valves replaced by new VEI-16 (RE18323-39)**

Solenoid operated valves pilot operated poppet type  
 2-way normally closed  
 Common cavity, Size 12

**RE 18323-13**  
 Edition: 11.2018  
 Replaces: 01.2016

VEI-8A-12A-NC

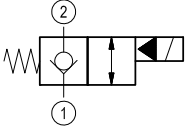
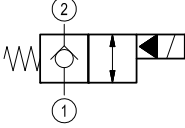
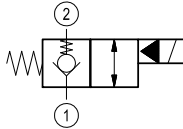
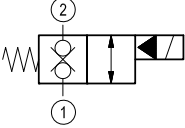
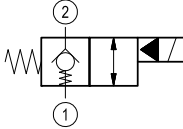
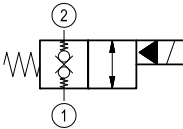
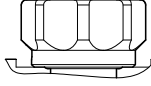
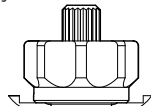
OD.15 - X - 89 - Y - Z



**Technical data**

General		
Weight		0.22 kg (0.48 lbs)
Installation orientation		Optional
Ambient temperature range		-30 to 60 °C (-22 to 140 °F)
Hydraulic		
Max. operating pressure		350 bar (5000 psi)
Flow range		5 - 150 l/min (1 - 40 gpm)
Max. internal leakage		20 drops/min.
Fluid temperature range		-20 to 80 °C (-4 to 176 °F)
Fluids: Mineral-based or synthetics with lubricating properties at viscosities of 20 to 380 mm <sup>2</sup> /s (cSt)		
Installation torque		54 - 66 Nm (40 - 49 ft-lbs)
Recommended degree of fluid contamination		Nominal value max. 10 µm (NAS 8) ISO 4406 19/17/14
Cavity		CA-12A-2N see 18325-70
Lines bodies and standard assemblies		Please refer to section "Hydraulic integrated circuit" or consult factory
Seal kit – version 1	code	RG12A2010520100
	material no.	R901111377
Seal kit – version 2-3	code	RG12A2010530100
	material no.	R930003374
Seal kit coil	code	RG12A1PNBR7010
	material no.	R934003958
Other technical data		See data sheet 18350-50
Electrical		
Type of voltage		DC voltage
Coil type		S8-356 see 18325-90
Supply voltage		See data sheet 18325-90
Nominal voltage		± 10%
Power consumption		20 W
Duty cycle coil		See characteristic curves %
Type of protection		See data sheet 18325-90
Note: Coils must be ordered separately		

Ordering code

OD.15	X	89	Y	Z	
<p>Solenoid operated valves pilot operated poppet type 2-way normally closed</p>					
<p>bidirectional type</p>  <p style="text-align: right;"><b>05</b></p>				<p><b>S0</b> = Tube not welded</p>	
<p>bidirectional type</p>  <p style="text-align: right;"><b>03</b></p>				<p><b>S8</b> = Tube not welded with extra spring</p>  <p style="text-align: right;">for X= 05</p>	
<p>double lock</p>  <p style="text-align: right;"><b>31</b></p>				 <p style="text-align: right;">for X= 03</p>	
					 <p style="text-align: right;">for X= 31</p>
					<p>standard type</p>  <p style="text-align: left;"><b>3A</b></p>
					<p>knob style manual override</p>  <p style="text-align: left;"><b>3D</b></p>
<p><b>89</b> Common cavity: CA-12A-2N</p>					

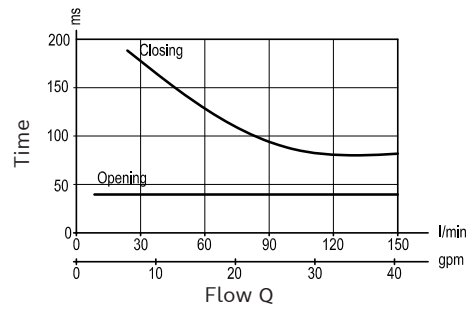
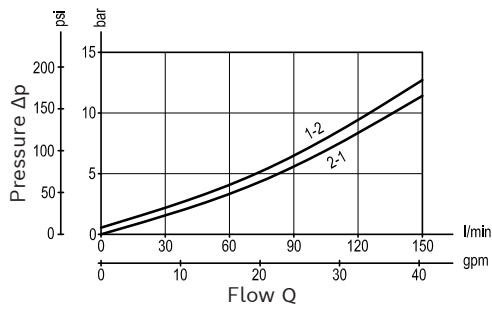
Type	Material number
OD1503893AS000	R901091116
OD1503893AS800	R901109961
OD1503893DS000	R901091117
OD1503893DS800	R901109962
OD1505893AS000	R901091127
OD1505893AS800	R901091128
OD1505893DS000	R901091129
OD1505893DS800	R901109978

Type	Material number
OD1531893AS000	R901091168
OD1531893AS800	R901091169
OD1531893DS000	R901091170
OD1531893DS800	R901109990

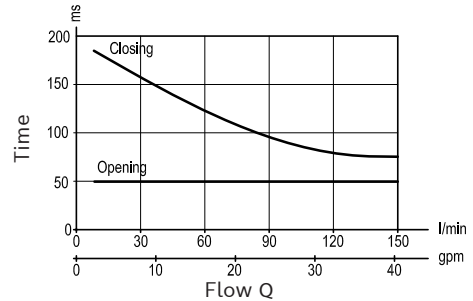
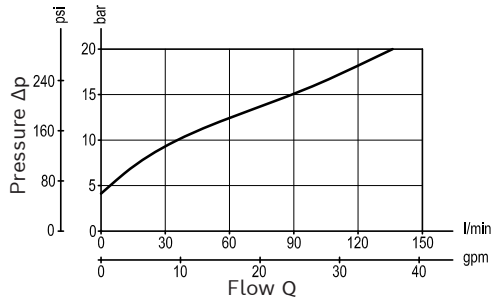
Characteristic curves

Version 1 – Version 2

Standard

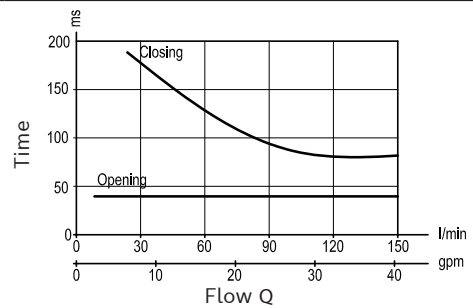
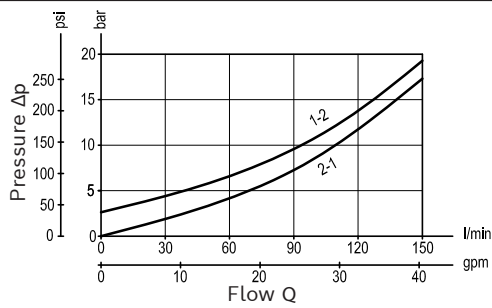


Extra spring

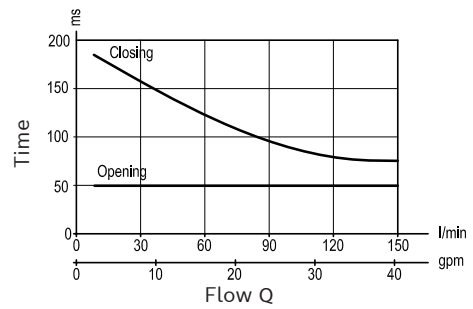
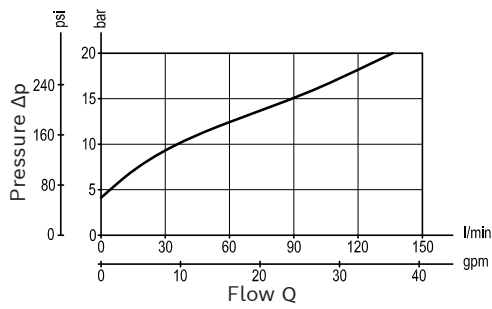


Version 3

Standard

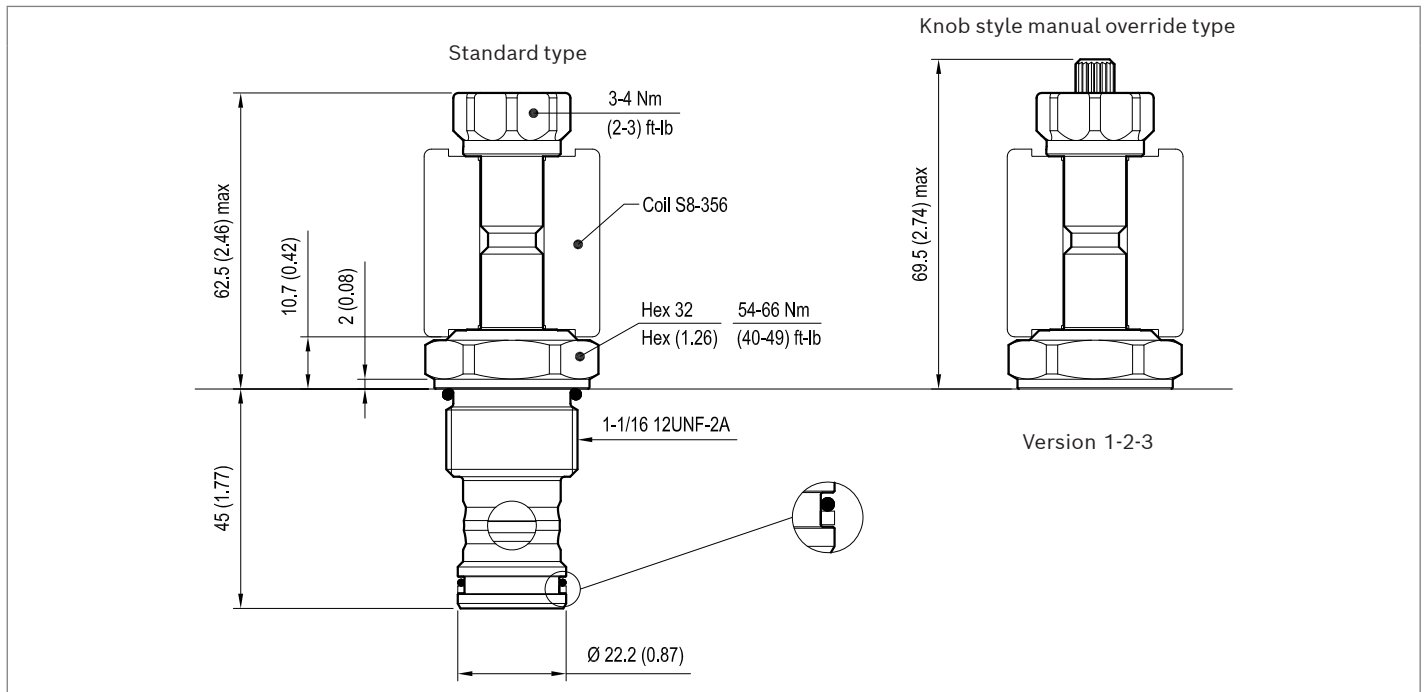


Extra spring



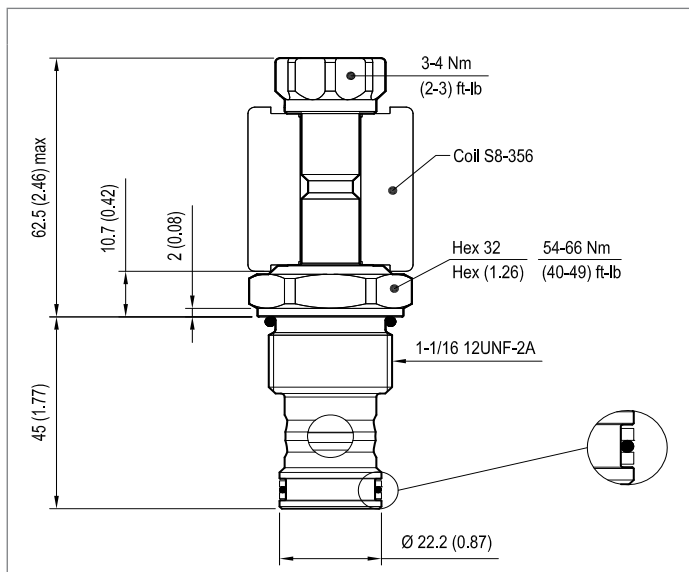
## Dimensions

### ▼ Version 1: Solenoid operated valve, poppet 2-way normally closed



### ▼ Version 2: Solenoid operated valve, poppet 2-way normally closed

### ▼ Version 3: Solenoid operated valve, poppet 2-way double lock normally closed



#### Bosch Rexroth Oil Control S.p.A.

Via Leonardo da Vinci 5  
 P.O. Box no. 5  
 41015 Nonantola – Modena, Italy  
 Tel. +39 059 887 611  
 Fax +39 059 547 848  
 compact-hydraulics-cv@boschrexroth.com  
 www.boschrexroth.com/compacthydraulics

© This document, as well as the data, specifications and other information set forth in it, are the exclusive property of Bosch Rexroth Oil Control S.p.a.. It may not be reproduced or given to third parties without its consent. The data specified above only serve to describe the product. No statements concerning a certain condition or suitability for a certain application can be derived from our information. The information given does not release the user from the obligation of own judgment and verification. It must be remembered that our products are subject to a natural process of wear and aging. Subject to change.