

Pressure reducing and relieving,  
direct acting spool type, fixed setting  
Common cavity, Size 08

VRPR-08A

04.95.11.83.56 - Z

**RE 18318-52**

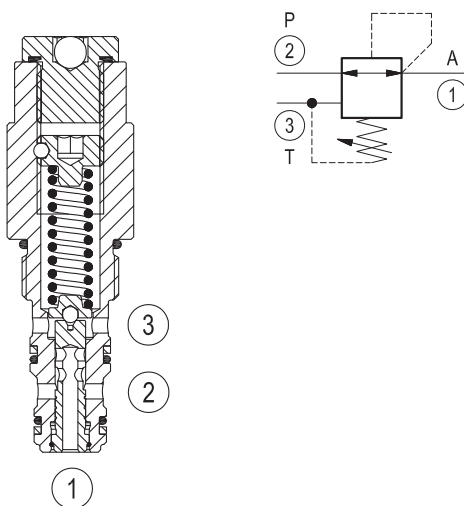
Edition: 03.2025

Replaces: 03.2016



**Description**

Initially, flow passes freely from 2 to 1. When the pressure at 1 exceeds the pressure setting, the valve acts to restrict input flow at 2. This increases the pressure drop through the valve and maintains consistent pressure at 1. The spring chamber is drained at 3 to prevent a build-up of back-pressure against the spool. Additionally, if pressure at 1 rises above the pressure setting, flow is relieved to 3 until the setting is re-attained.

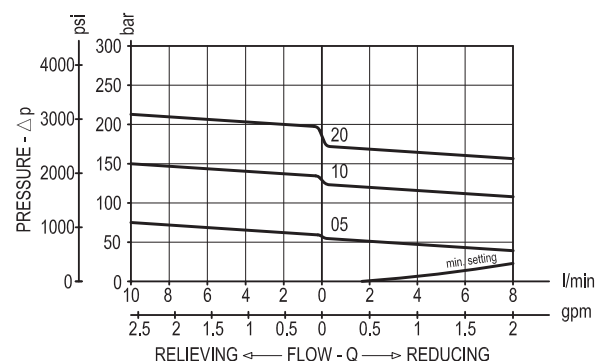


**Technical data**

Max. operating pressure port 2 (P)	350 bar (5000 psi)
Max. pressure admitted port 1 (A)	210 bar (3000 psi)
Max. flow	8 l/min (2 gpm)
Max. internal leakage <sup>1)</sup>	100 cm <sup>3</sup> /min. (6 cu.in./min.)
Fluid temperature range	-30 to 100 °C (-22 to 212 °F)
Installation torque	34 - 41 Nm (25 - 30 ft-lbs)
Weight	0.2 kg (0.44 lbs)
Cavity	CA-08A-3N (see data sheet 18325-70)
Lines bodies and standard assemblies	Please refer to section "Hydraulic integrated circuit" or consult factory
Seal kit <sup>2)</sup>	Code: RG08A3010520100 material no: R930000861
Fluids	Mineral-based or synthetics with lubricating properties at viscosities of 10 to 500 mm <sup>2</sup> /s (cSt)
Recommended degree of fluid contamination	Nominal value max. 10µm (NAS 8) / ISO 4406 19/17/14
Installation position	No restrictions
MTTFD	150 years see RE 18350-51
Other Technical Data	See data sheet 18350-50

- 1) 1 - 3 to 80% of pressure setting
- 2) Only external seals for 10 valves

**Characteristic curve**



**Ordering code**

<b>04.95.11.83</b>	<b>56</b>	<b>Z</b>	<b>00</b>	<b>*</b>
--------------------	-----------	----------	-----------	----------

Pressure reducing and relieving,  
direct acting spool type, fixed setting

Series 0/A to L  
unchanged performances and dimensions

Version and options standard

**56** Common cavity, Size 08

SPRINGS	
Fixed setting bar (psi) (reduc. mode)	
<b>05</b>	35 (500)
<b>10</b>	70 (1000)
<b>20</b>	150 (2200)

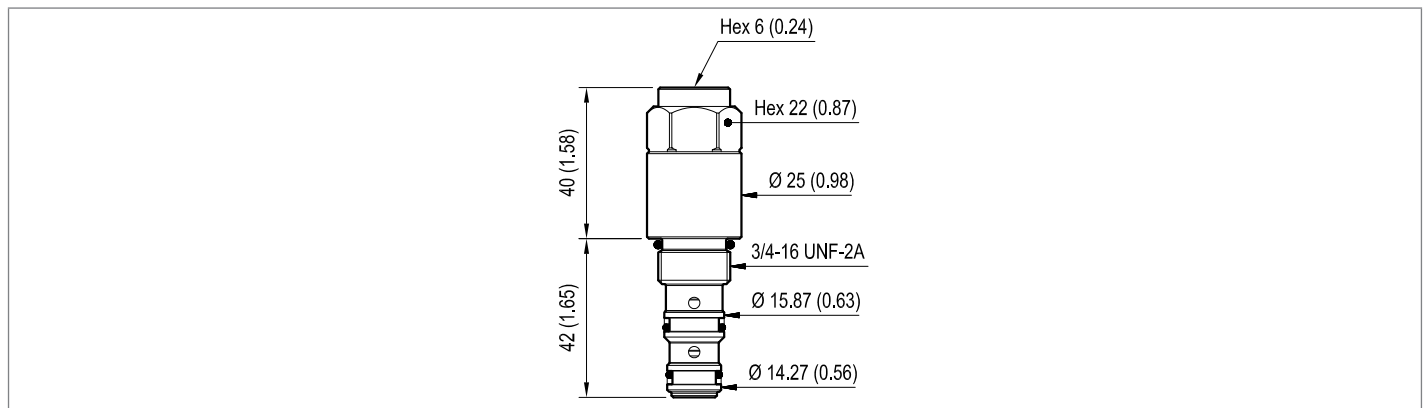
Further settings available on request

**Preferred types**

Type	Material number
04951183560500A	R930006735
04951183561000A	R930006736
04951183562000A	R930006737

Type	Material number

**Dimensions**



**Bosch Rexroth Oil Control S.p.A.**

Via Leonardo da Vinci 5  
P.O. Box no. 5  
41015 Nonantola – Modena, Italy  
Tel. +39 059 887 611  
Fax +39 059 547 848  
compact-hydraulics-cv@boschrexroth.com  
www.boschrexroth.com/compacthydraulics

© This document, as well as the data, specifications and other information set forth in it, are the exclusive property of Bosch Rexroth Oil Control S.p.a.. It may not be reproduced or given to third parties without its consent. The data specified above only serve to describe the product. No statements concerning a certain condition or suitability for a certain application can be derived from our information. The information given does not release the user from the obligation of own judgment and verification. It must be remembered that our products are subject to a natural process of wear and aging. Subject to change.