

Check, poppet reverse type

Special cavity, LM

VUR3-32-LM

VUR3-LM

**RE 18319-06**

Edition: 07.2023

Replaces: 09.2020

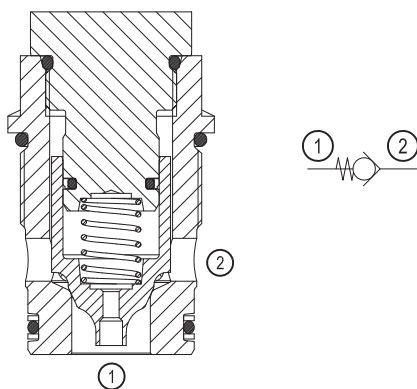


**Description**

When pressure at 2 rises above the spring bias pressure, the poppet is lifted and flow allowed from 2 to 1. The valve is closed (checked) from 1 to 2. Precision machining and hardening processes allow virtually leak-free performance in the checked condition.

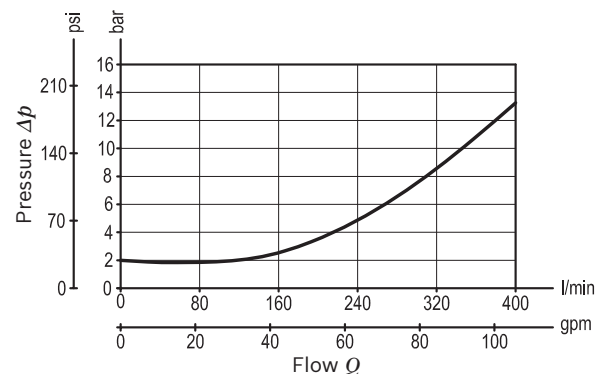
**Technical data**

Max. operating pressure	420 bar (6000 psi)
Max. flow	400 l/min (106 gpm)
Max. internal leakage	5 drops/min.
Fluid temperature range	-20 to 120 °C (-4 to 248 °F) (Viton)
Installation torque <sup>1)</sup>	150 Nm (111 ft-lbs)
Weight	0.44 kg (0.97 lbs)
MTTFD	150 years see RE 18350-51
Special cavity	LM (see data sheet 18325-75)
Lines bodies and standard assemblies	Please refer to section "Hydraulic integrated circuit" or consult factory
Seal kit (Viton) <sup>2)</sup>	Code: RGLMR2040540100 material no: R930078462
Fluids	Mineral-based or synthetics with lubricating properties at viscosities of 10 to 380 mm <sup>2</sup> /s (cSt)
Recommended degree of fluid contamination	Nominal value max. 10µm (NAS 8) / ISO 4406 20/18/15
Installation position	No restrictions
Other Technical Data	See data sheet 18350-50
Without surface protection	In case of need of surface protection, please consult factory.



- 1) Torque valve valid for installation in cast iron and steel manifolds. In case of different body materials, please consult factory.
- 2) Only external seals for 10 valves.

**Characteristic curve**



**Ordering code**

<b>VUR3.400.LM</b>	
--------------------	--

Check, poppet reverse type

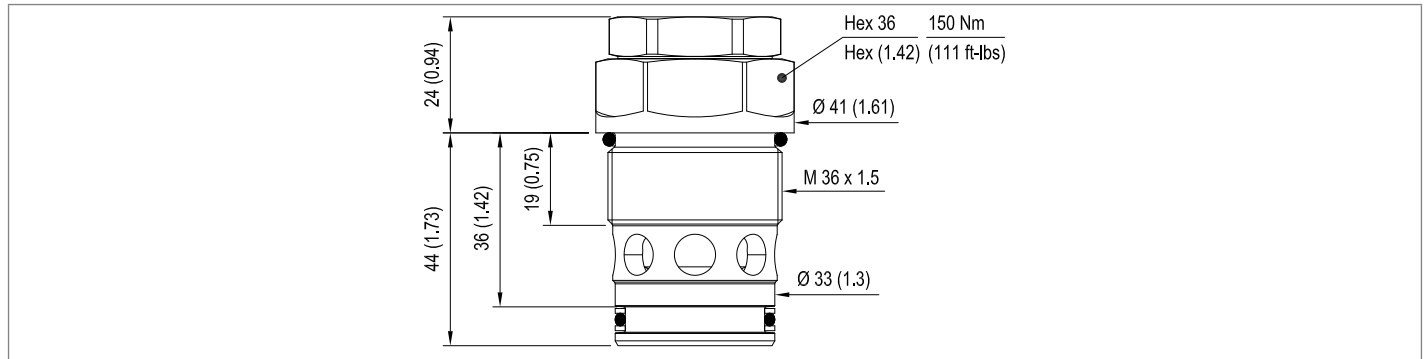
	<b>SPRINGS</b>	<b>O-RING</b>
	Cracking pressure bar (psi)	Material
<b>010</b>	1 (14.5)	Viton (FKM)

**Preferred types**

Type	Material number
VUR3.400.LM.010	R930077358

Type	Material number

**Dimensions**



**Bosch Rexroth Oil Control S.p.A.**

Via Leonardo da Vinci 5  
 P.O. Box no. 5  
 41015 Nonantola – Modena, Italy  
 Tel. +39 059 887 611  
 Fax +39 059 547 848  
 compact-hydraulics-cv@boschrexroth.com  
 www.boschrexroth.com/compacthydraulics

© This document, as well as the data, specifications and other information set forth in it, are the exclusive property of Bosch Rexroth Oil Control S.p.a.. It may not be reproduced or given to third parties without its consent. The data specified above only serve to describe the product. No statements concerning a certain condition or suitability for a certain application can be derived from our information. The information given does not release the user from the obligation of own judgment and verification. It must be remembered that our products are subject to a natural process of wear and aging. Subject to change.