

Check, poppet reverse type

Special cavity, FB

VUR1-16

VUR1.100.00

RE 18319-01

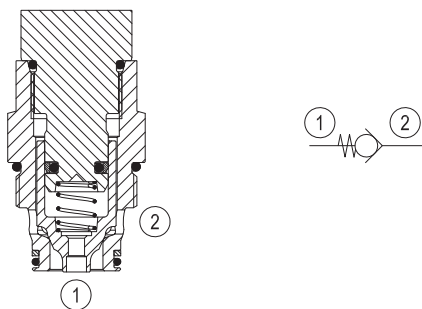
Edition: 01.2019

Replaces: 03.2016



Description

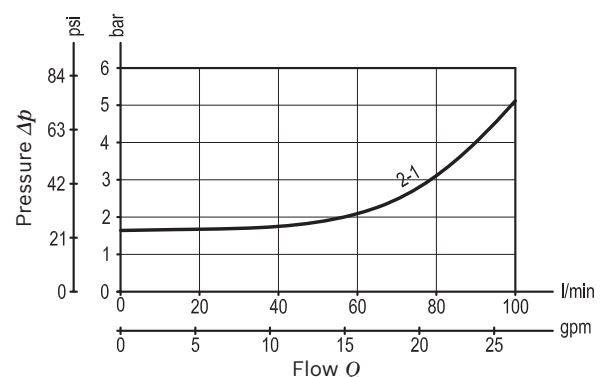
When pressure at 2 rises above the spring bias pressure, the poppet is lifted and flow allowed from 2 to 1. The valve is closed (checked) from 1 to 2. Precision machining and hardening processes allow virtually leak-free performance in the checked condition.



Technical data	
Max. operating pressure	420 bar (6000 psi)
Max. flow	100 l/min (26 gpm)
Max. internal leakage	5 drops/min.
Fluid temperature range	-30 to 100 °C (-22 to 212 °F) (Buna N) -20 to 120 °C (-4 to 248 °F) (Viton)
Installation torque ¹⁾	90 Nm (67 ft-lbs)
Weight	0.14 kg (0.31 lbs)
Special cavity	FB (see data sheet 18325-75)
Lines bodies and standard assemblies	Please refer to section "Hydraulic integrated circuit" or consult factory
Seal kit (Buna N)	Code: RG16R2010520100 material no: R931002592
Seal kit (Viton)	Code: RG16R2040520100 material no: R931002593
Fluids	Mineral-based or synthetics with lubricating properties at viscosities of 5 to 800 mm ² /s (cSt)
Recommended degree of fluid contamination	Nominal value max. 10µm (NAS 8) / ISO 4406 20/18/15
Installation position	No restrictions
Other Technical Data	See data sheet 18350-50
Without surface protection	In case of need of surface protection, please consult factory.

1) Torque valve valid for installation in cast iron and steel manifolds. In case of different body materials, please consult factory.

Characteristic curve



Ordering code

VUR1.100.00	
--------------------	--

Check, poppet reverse type

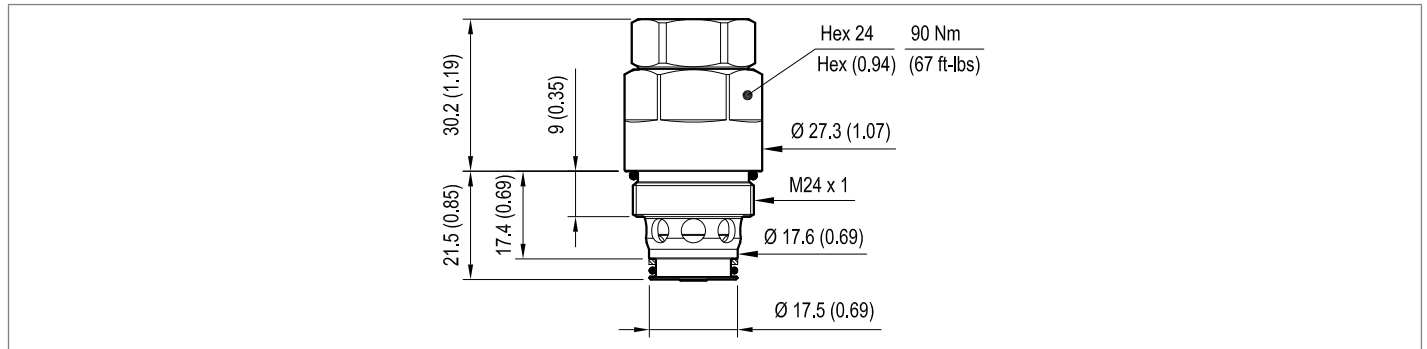
	SPRINGS	O-RING
	Cracking pressure bar (psi)	Material
000	2 (30)	Buna N (NBR)
010	2 (30)	Viton (FKM)

Preferred types

Type	Material number
VUR1.100.00.000	R931001849
VUR1.100.00.010	R930050902

Type	Material number

Dimensions



Bosch Rexroth Oil Control S.p.A.

Via Leonardo da Vinci 5
 P.O. Box no. 5
 41015 Nonantola – Modena, Italy
 Tel. +39 059 887 611
 Fax +39 059 547 848
 compact-hydraulics-cv@boschrexroth.com
 www.boschrexroth.com/compacthydraulics

© This document, as well as the data, specifications and other information set forth in it, are the exclusive property of Bosch Rexroth Oil Control S.p.a.. It may not be reproduced or given to third parties without its consent. The data specified above only serve to describe the product. No statements concerning a certain condition or suitability for a certain application can be derived from our information. The information given does not release the user from the obligation of own judgment and verification. It must be remembered that our products are subject to a natural process of wear and aging. Subject to change.