

Proportional valves 2-way
normally closed
Common cavity, Size 08

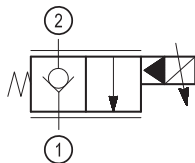
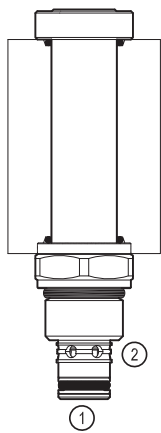
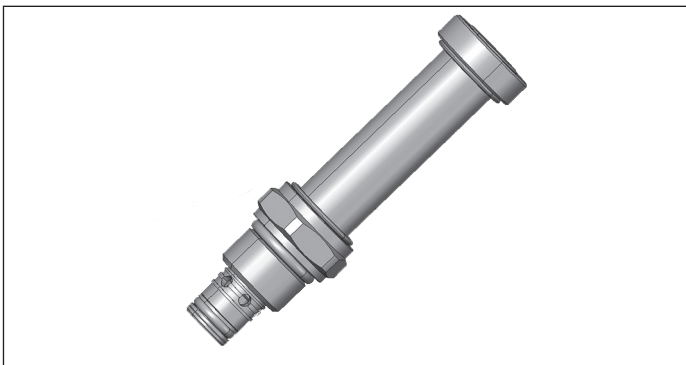
VPR-P40 Coil R7-VPR

V389681 - Z

RE 18323-78

Edition: 10.2022

replaces: 04.2022



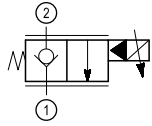
Technical data

General	
Weight	0.20 kg (0.45 lbs)
Installation orientation	Optional
Ambient temperature range	-30 to 80 °C (-22 to 176 °F)
Hydraulic	
Max. operating pressure	250 bar (3600 psi)
Flow range	1 - 40 l/min. (0.3 - 11 gpm)
Max. internal leakage	1 cm ³ /min. (0.1 cu.in./min.)
Fluid temperature range	-20 to 80 °C (-4 to 176 °F)
Fluids: Mineral-based or synthetics with lubricating properties at viscosities of 15 to 380 mm ² /s (cSt)	
Installation torque	42 -48 Nm (31 - 36 ft-lbs)
Recommended degree of fluid contamination	Nominal value max. 10 µm (NAS 8) ISO 4406 19/17/14
MTTFD	150 years see RE 18350-51
Common cavity	CA-08A-2N see 18325-70
Lines bodies and standard assemblies	Please refer to section "Hydraulic integrated circuit" or consult factory
Other technical data	See data sheet 18350-50
Electrical	
Type of voltage	DC voltage
Coil type	R7-VPR
Supply voltage	12 and 24
Nominal voltage	± 10%
Power consumption	20 W
Duty cycle coil	100
Note: Coils must be ordered separately	

Ordering code

V389681	*
----------------	----------

Proportional valves 2-way
double lock normally closed



A20 = Standard type
E20 = Knob style manual override

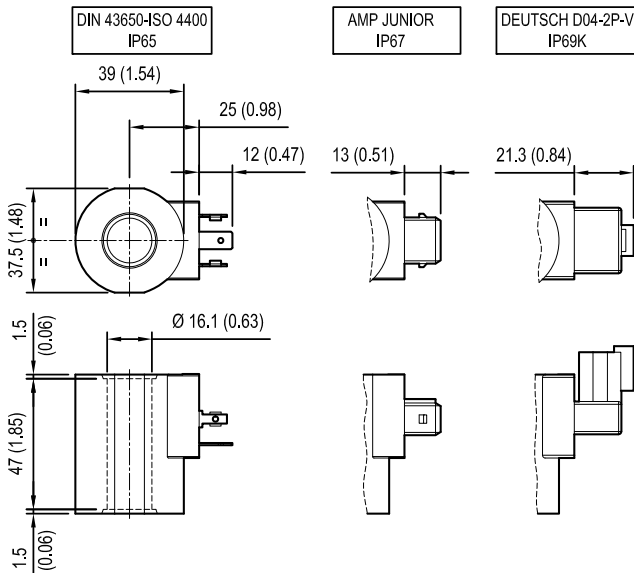
Common cavity: CA-08A-2N

Preferred types

Type	Material number
V389681A20	R930075522
V389681E20	R930075523

Type	Material number

Coil R7-VPR



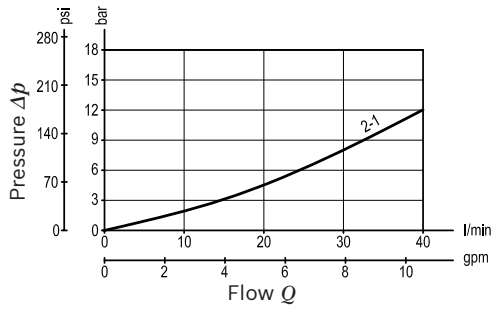
TECHNICAL DATA

Weight: 0.20 kg (0.45 lbs)
Heat insulation Class H: 180°C (356°F)
Ambient temperature range: -30/+80°C (-22/+284°F)
Inlet voltage fluctuations must not exceed ±15% of nominal voltage to obtain correct operation and long life coils.

R-number	Conn.	Voltage V	Resistance Ohm	Current A I max
R930075748	DIN	12	6.7	1.7
R932000790	DIN	24	21.7	1.1
R932008695	AMP J	12	6.7	1.7
R930040824	AMP J	24	21.7	1.1
R930075749	DTV	12	6.7	1.7
R930075750	DTV	24	21.7	1.1

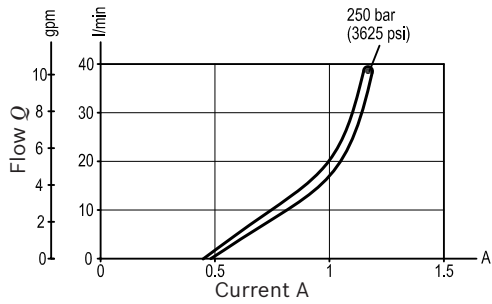
Characteristic curves

Wide open pressure drop



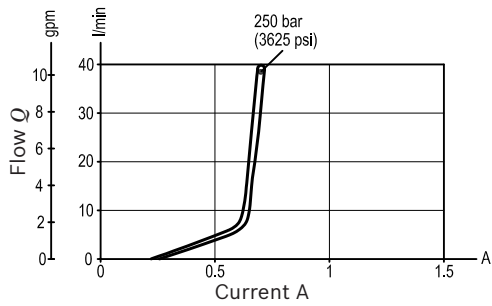
Flow vs. Current at various differential pressures

12V
I max. 1.7A



P bar (psi)	I (A) min.
50 (725)	0.45 ± 0.1
150 (2175)	0.50 ± 0.1
250 (3625)	0.55 ± 0.1

24V
I max. 1.1A



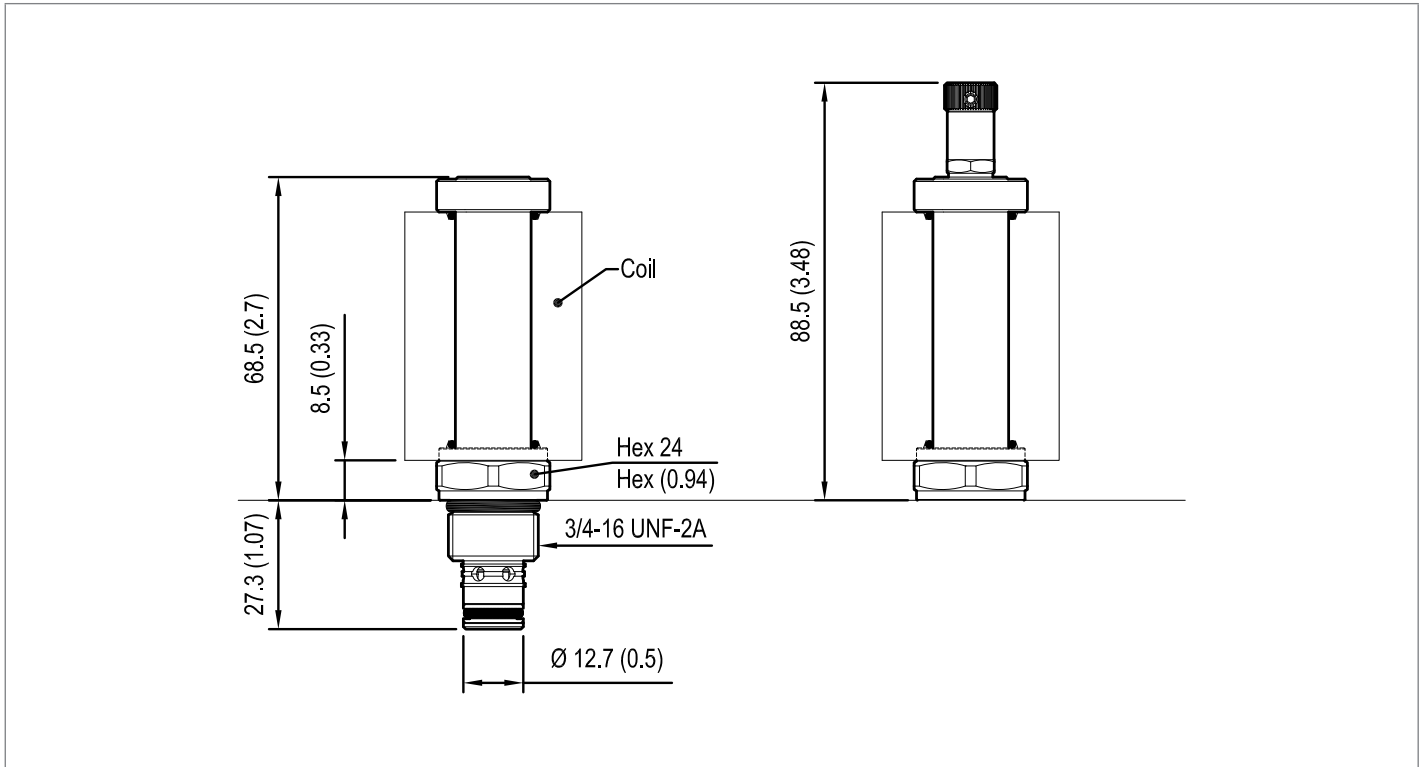
P bar (psi)	I (A) min.
50 (725)	0.25 ± 0.05
150 (2175)	0.30 ± 0.05
250 (3625)	0.35 ± 0.05

PWM Frequency: 120-150 Hz
Hysteresis: < 10%

Note: Performance using coil without diode.

Dimensions

▼ Proportional valves 2-way

**Bosch Rexroth Oil Control S.p.A.**

Via Leonardo da Vinci 5
 P.O. Box no. 5
 41015 Nonantola – Modena, Italy
 Tel. +39 059 887 611
 Fax +39 059 547 848
 compact-hydraulics-cv@boschrexroth.com
 www.boschrexroth.com/compacthydraulics

© This document, as well as the data, specifications and other information set forth in it, are the exclusive property of Bosch Rexroth Oil Control S.p.a.. It may not be reproduced or given to third parties without its consent. The data specified above only serve to describe the product. No statements concerning a certain condition or suitability for a certain application can be derived from our information. The information given does not release the user from the obligation of own judgment and verification. It must be remembered that our products are subject to a natural process of wear and aging. Subject to change.