

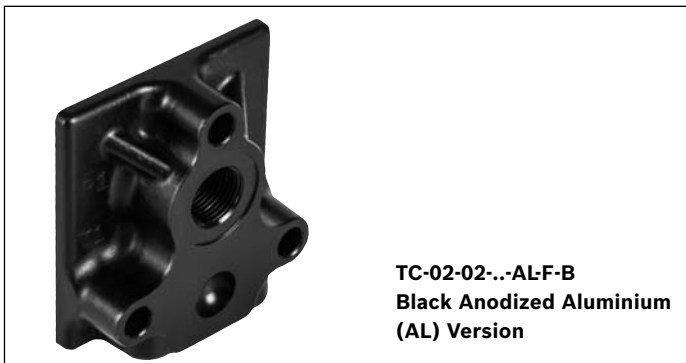
Outlet Elements with additional inlet port P1

TC-02-__

RE 18301-62

Edition: 06.2020

Replaces: 06.2019



Description

The outlet elements TC-02- are employed to connect the P and T channels of the ED elements of the Directional Valve Assembly, and to provide an extra inlet port P1, either size G 3/8 or G 1/2.

The outlet elements TC-02- are available in two versions:

- Body made of Black Anodized Aluminium (AL), or
- Body made of Yellow Zinc plated (Cr+3) Cast Iron (CI).

Technical data

General		
Weight TC-02-02-...-AL-F-B element	kg (lbs)	0.16 (0.35)
Weight TC-02-03-...-AL element	kg (lbs)	0.26 (0.56)
Weight TC-02-03-...-CI element	kg (lbs)	0.64 (1.41)
Ambient Temperature	°C (°F)	-20....+50 (-4....+122) (NBR seals)
Hydraulic		
Maximum flow in P	l/min (gpm)	50 (13.2)
Maximum pressure for aluminium version (AL)	bar (psi)	250 (3625)
Maximum pressure for Cast Iron version (CI)	bar (psi)	310 (4500)
Hydraulic fluid General properties: it must have physical lubricating and chemical properties suitable for use in hydraulic systems such as, for example:		Mineral oil based hydraulic fluids HL (DIN 51524 part 1). Mineral oil based hydraulic fluids HLP (DIN 51524 part 2). For use of environmentally acceptable fluids (vegetable or polyglycol base) please consult us.
Fluid Temperature	°C (°F)	-20....+100 (-4....+212) (NBR)
Permissible degree of fluid contamination		ISO 4572: $\beta_{x \geq 75} X=12...15$ ISO 4406: class 20/18/15 NAS 1638: class 9
Viscosity range	mm ² /s	5....420

Note

For applications with different specifications consult us

Ordering details

01	02	03	04
TC	-	02	-
		-	00
			-

Family

01	Outlet Elements	TC
----	-----------------	-----------

Configuration

02	with additional inlet port P1	02
----	-------------------------------	-----------

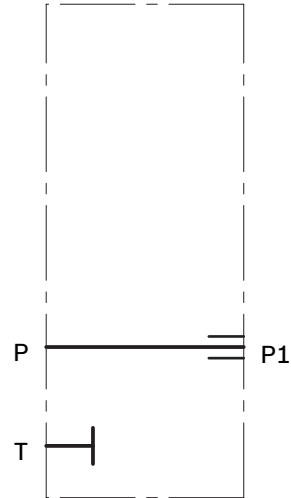
Ports

03	G 3/8 DIN 3852	02
	G 1/2 DIN 3852	03

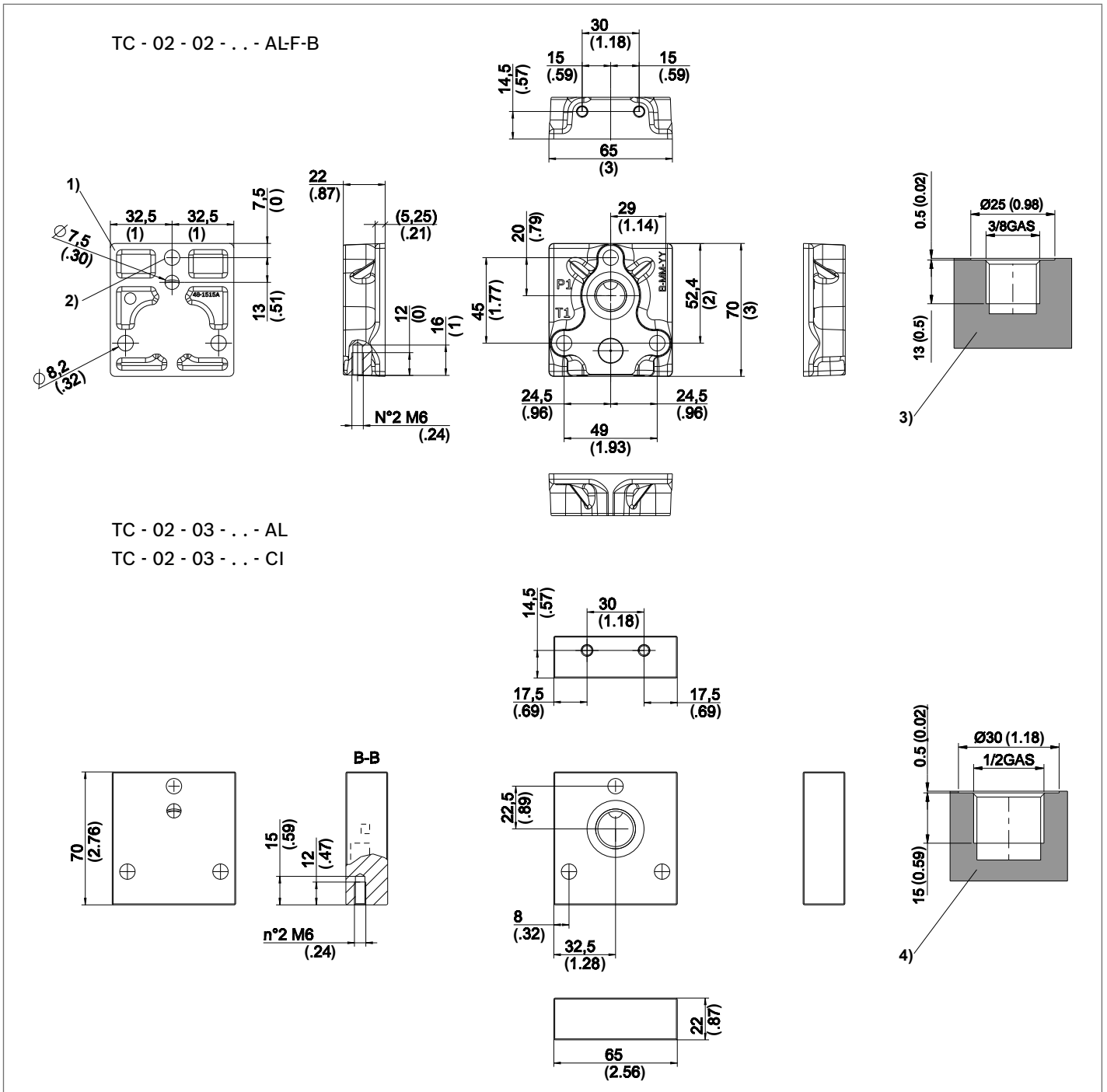
Material

04	Forged Aluminum (only for 3/8" port size)	AL-F-B
	Aluminum from solid bar (only for 1/2" port size)	AL
	Cast Iron (all port sizes)	CI

Symbol



External dimensions and fittings



- 1 Flange specifications for coupling to the ED Directional Valve Elements.
- 2 For tie rod and tightening torque information see data sheet RE 18301-90.

- 3 Hydraulic Port P1 size G 3/8, for TC-02-02-...
- 4 Hydraulic Port P1 size G 1/2, for TC-02-03-...

Part Code	Material Number	Description	Port Size	Material
48-15152N	R930067925	TC-02-02-00-AL-F-B	G 3/8 DIN 3852	Forged Aluminum
48-15153	R933003330	TC-02-03-00-AL	G 1/2 DIN 3852	Aluminum from solid bar
48-151535	R933003333	TC-02-03-00-CI	G 1/2 DIN 3852	Cast Iron

Bosch Rexroth Oil Control S.p.A.

Oleodinamica LC Division
Via Artigianale Sedrio, 12
42030 Vezzano sul Crostolo
Reggio Emilia - Italy
Tel. +39 0522 601 801
Fax +39 0522 606 226 / 601 802
compact-hydraulics-cdv@boschrexroth.com
www.boschrexroth.com/compacthydraulics

© This document, as well as the data, specifications and other information set forth in it, are the exclusive property of Bosch Rexroth Oil Control S.p.a.. It may not be reproduced or given to third parties without its consent. The data specified above only serve to describe the product. No statements concerning a certain condition or suitability for a certain application can be derived from our information. The information given does not release the user from the obligation of own judgment and verification. It must be remembered that our products are subject to a natural process of wear and aging.
Subject to change.