

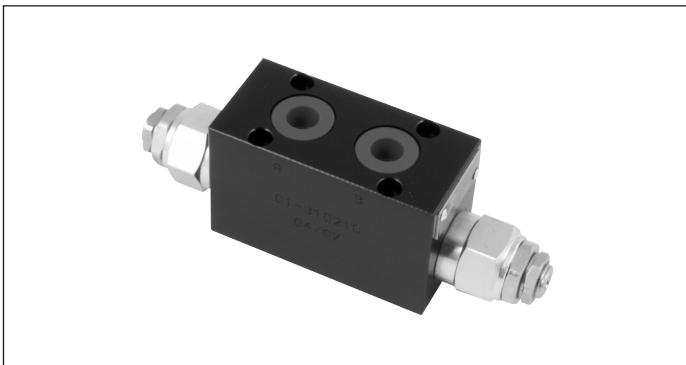
Flangeable elements with unidirectional flow controls for meter-in or meter-out

EDM-VF

RE 18301-42

Edition: 02.2016

Replaces: 07.2012



Description

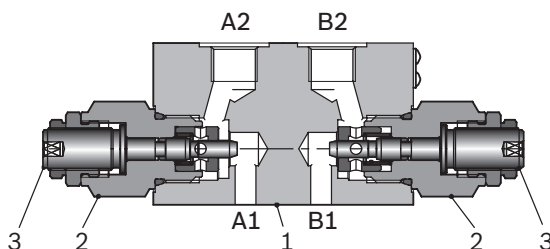
The secondary flangeable elements EDM-VF__ can be interfaced and bolted on top of the A and B ports of the ED elements of the Directional Valve Assembly.

They incorporate two unidirectional flow restrictors, and, depending on the version selected (01 AB, or 02 AB), they allow free flow A1>A2 and B1>B2, with and controlled/restricted flow in the reverse directions A2>A1 and B2>B1, or vice-versa.

Also the single acting versions are available, with only one flow restrictor fitted either in side A or in side B.

The restrictors are adjustable through the adjuster screw 3.

The body of the EDM-VF- elements is made of Black Anodized Aluminium (AL). Hydraulic Ports A2 and B2 are size G 3/8.



Technical data

General		
Weight	kg (lbs)	0.89 (2.18)
EDM-VF version -AB-		
Weight	kg (lbs)	0.61 (1.36)
EDM-VF version -0B- (-0A-)		
Ambient Temperature	°C (°F)	-20....+50 (-4....+122) (NBR seals)
Hydraulic		
Maximum pressure	bar (psi)	250 (3625)
Maximum flow	l/min (gpm)	50 (13.2)
Hydraulic fluid	Mineral oil based hydraulic fluids HL (DIN 51524 part 1). Mineral oil based hydraulic fluids HLP (DIN 51524 part 2). For use of environmentally acceptable fluids (vegetable or polyglycol base) please consult us.	
General properties: it must have physical lubricating and chemical properties suitable for use in hydraulic systems such as, for example:		
Fluid Temperature	°C (°F)	-20....+80 (-4....+176) (NBR)
Permissible degree of fluid contamination	ISO 4572: $\beta_x \geq 75$ X=12...15 ISO 4406: class 20/18/15 NAS 1638: class 9	
Viscosity range	mm ² /s	5....420

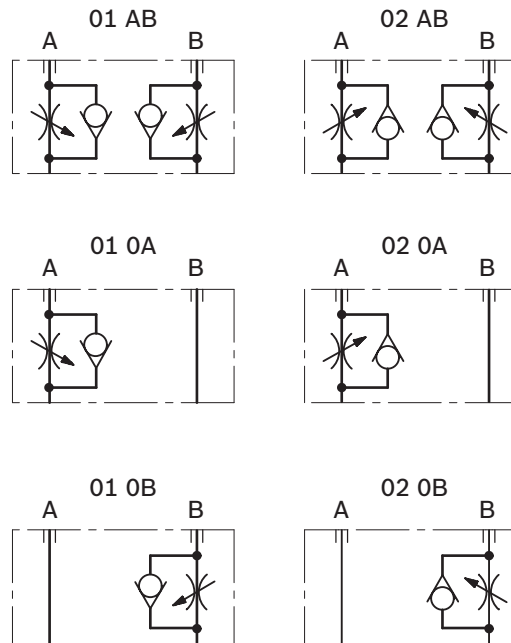
Note

For applications with different specifications consult us

Ordering details

01	02	03	04	05	06
L	88	50			00
Family					
01	Directional Valve elements ED				L
Model					
02	Flangeable element secondary valves				88
Type					
03	One-way flow control				50
Configuration					
04	Flow control "meter out" for both A and B ports				01AB
	Flow control "meter out" for port A only				010A
	Flow control "meter out" for port B only				010B
	Flow control "meter in" for both A and B ports				02AB
	Flow control "meter in" for port A only				020A
	Flow control "meter in" for port B only				020B
Flow Adjustment					
05	Flow control cartridge with adjuster screw				2S
	Flow control cartridge with hand-knob				2K
Ports¹⁾					
06	G 3/8 DIN 3852, flangeable on G 3/8 ports				0
	9/16-18 UNF 2-B (SAE6), flangeable on G 3/8 ports				1
	3/4-16 UNF 2-B (SAE8), flangeable on G 3/8 ports				3
	3/4-16 UNF 2-B (SAE8), flangeable on SAE8 ports				A

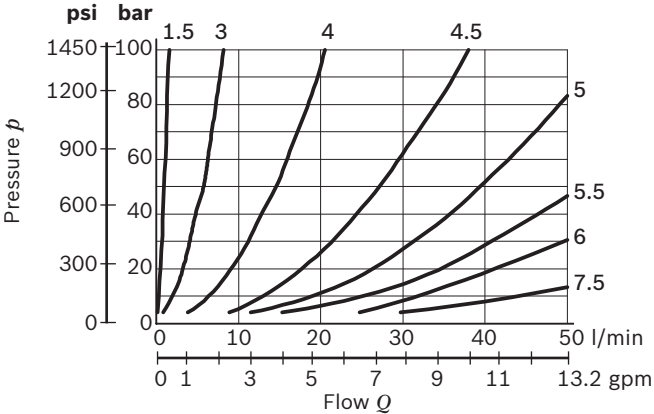
Symbols



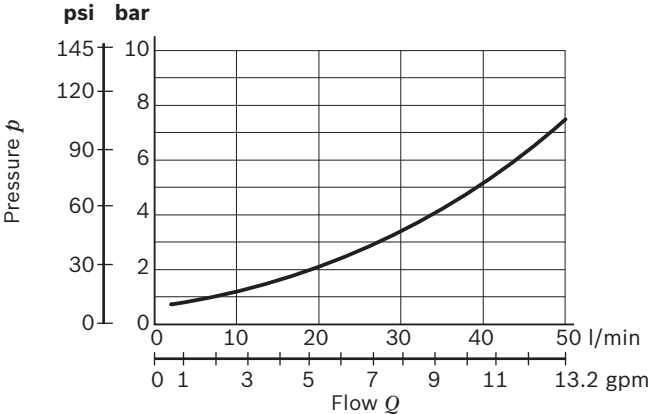
1) Modular elements can be flanged on standard G 3/8 or SAE8 valve body.

Characteristic curves

Controlled flow vs. available pressure drop, at different opening turns of adjuster screw

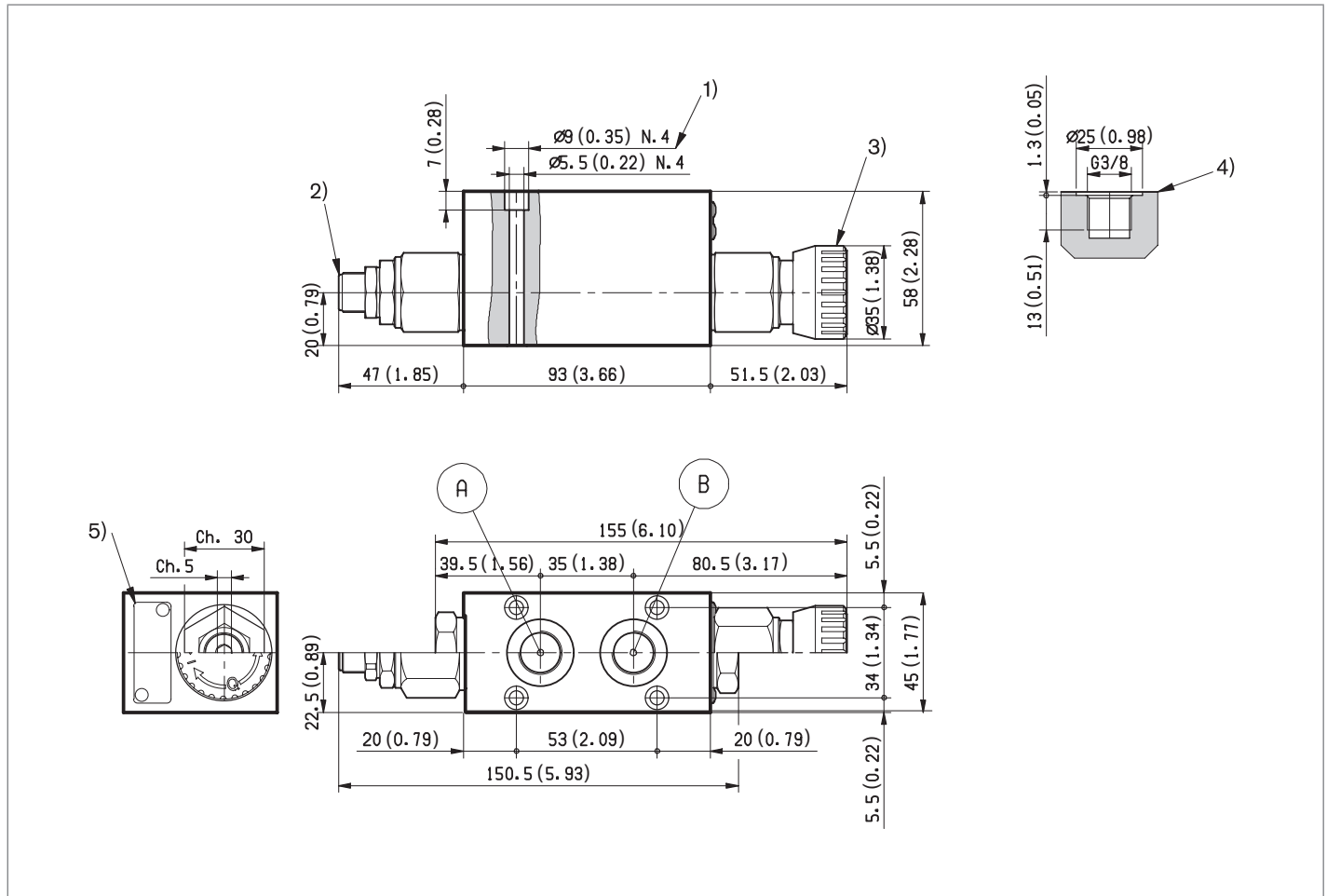


Δp curve vs. free flow, through the check valve



Measured with hydraulic fluid ISO-VG32 at $45^\circ \pm 5^\circ \text{C}$ ($113^\circ \pm 9^\circ \text{F}$); ambient temperature 20°C (68°F).

External dimensions and fittings



- 1 Four through holes \varnothing 5.5 mm (0.217 inch) for screws and tightening torques see data sheet RE 18301-90.
- 2 Unidirectional flow restrictor with adjuster screw

- 3 Unidirectional flow restrictor with hand-knob.
- 4 Ports for the actuator
- 5 Identification label

Bosch Rexroth Oil Control S.p.A.
 Oleodinamica LC Division
 Via Artigianale Sedrio, 12
 42030 Vezzano sul Crostolo
 Reggio Emilia - Italy
 Tel. +39 0522 601 801
 Fax +39 0522 606 226 / 601 802
 compact-hydraulics-cdv@boschrexroth.com
 www.boschrexroth.com/compacthydraulics

© This document, as well as the data, specifications and other information set forth in it, are the exclusive property of Bosch Rexroth Oil Control S.p.a. It may not be reproduced or given to third parties without its consent. The data specified above only serve to describe the product. No statements concerning a certain condition or suitability for a certain application can be derived from our information. The information given does not release the user from the obligation of own judgment and verification. It must be remembered that our products are subject to a natural process of wear and aging. Subject to change.