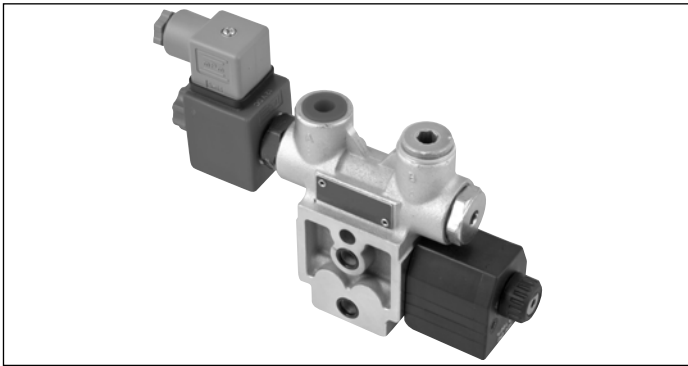


4/3 Directional valve elements
 with or without secondary relief valves,
 with or without LS connections,
 and with 2/2 solenoid cartridge valve
 B8_58... (EDBZ-VEI)

RE 18300-54

Edition: 02.2016

Replaces: 07.2012



Size 4

Series 00

Maximum operating pressure 310 bar (4500 psi)

Maximum flow 25 l/min (6.6 gpm)

Port connections G 3/8 SAE6 - M16x1.5

General specifications

Valve elements with 4 ways and 2 positions.

Control spools directly operated by solenoids with removable coils.

In the de-energized condition, the control spool is held in the central position by return spring.

Wet pin tubes for DC coils, with push rod for mechanical override; burnish surface treatment.

Manual override (push-button or screw type) available as option.

Additional solenoid cartridge 2/2, NO or NC, single locking or dual locking on port A.

Contents

Ordering details	2
Symbols	2
Functional description	3
Technical data	4
Characteristic curves	6
External dimensions and fittings	7
Electric connection	8

Ordering details

01	02	03	04	05	06	07	08	09	10	11
B	8		58	E401						

Family		
01	Directional Valve elements EDB	B

Type		
02	Size 4	8

Configuration		
03	Standard	0
	With secondary valve on A	1
	With channels for Load Sensing	4

Coil type		
04	C36	08

Spool variants		
05	4/2 operated on side b only	E401

Voltage supply		07	03	01	00	
06	Without coil	-	-	-	•	00
	12V DC	•	•	•	-	OB
	24V DC	•	•	•	-	OC
	24V AC (21.5 DC)	-	-	•	-	OV
	110V AC (98 DC)	-	-	•	-	OW
	230V AC (207 DC)	-	-	•	-	OZ

Electric connections		
07	Without coils	00
	With coils, without mating connector DIN EN 175301-803	01 ¹⁾
	With coils, with bi-directional diode, without mating connector vertical Amp-Junior	03
	With coils, with bi-directional diode, without mating connector DT04-2P	07

Ports		
08	G 3/8 DIN 3852	3
	M 16x1,5 DIN 3852	U
	9/16-18 UNF 2-B (SAE6)	B

Secondary valves setting ²⁾		
09	50-210 bar (725-3045 psi)	0
	100-310 bar (1450-4500 psi)	1
	25-50 bar (362-725 psi)	2
	Without secondary valve	3

Solenoid screw-in cartridge VEI		
10	Without valve	N
	Normally closed	C
	Normally open	A
	Dual locking normally closed	D
	Dual locking normally open	O

Options		
11	No options	No code
	Standard	0
	Push-button type manual override	P
	Screw type manual override	F

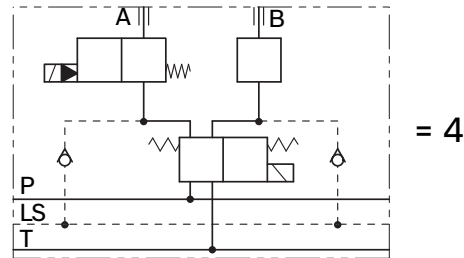
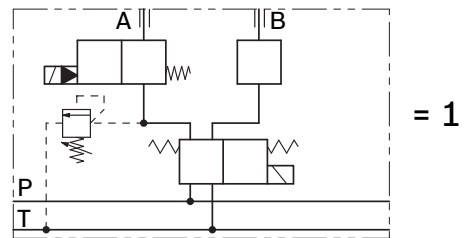
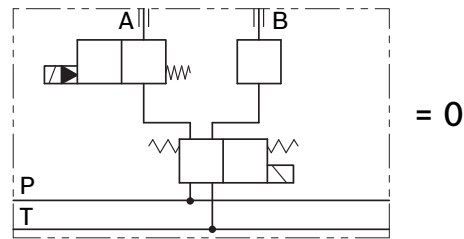
• = Available - = Not available

1) For connectors ordering code see data sheet RE 18325-90.

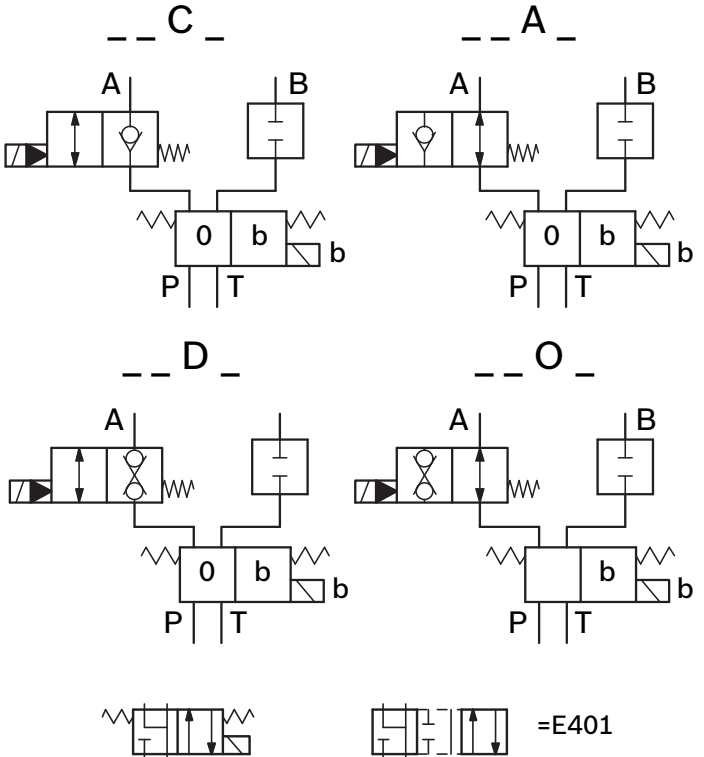
2) VEI solenoid cartridge must be ordered separately.

The secondary valves have a maximum flow capacity of 6 l/min. (1.6 gpm).

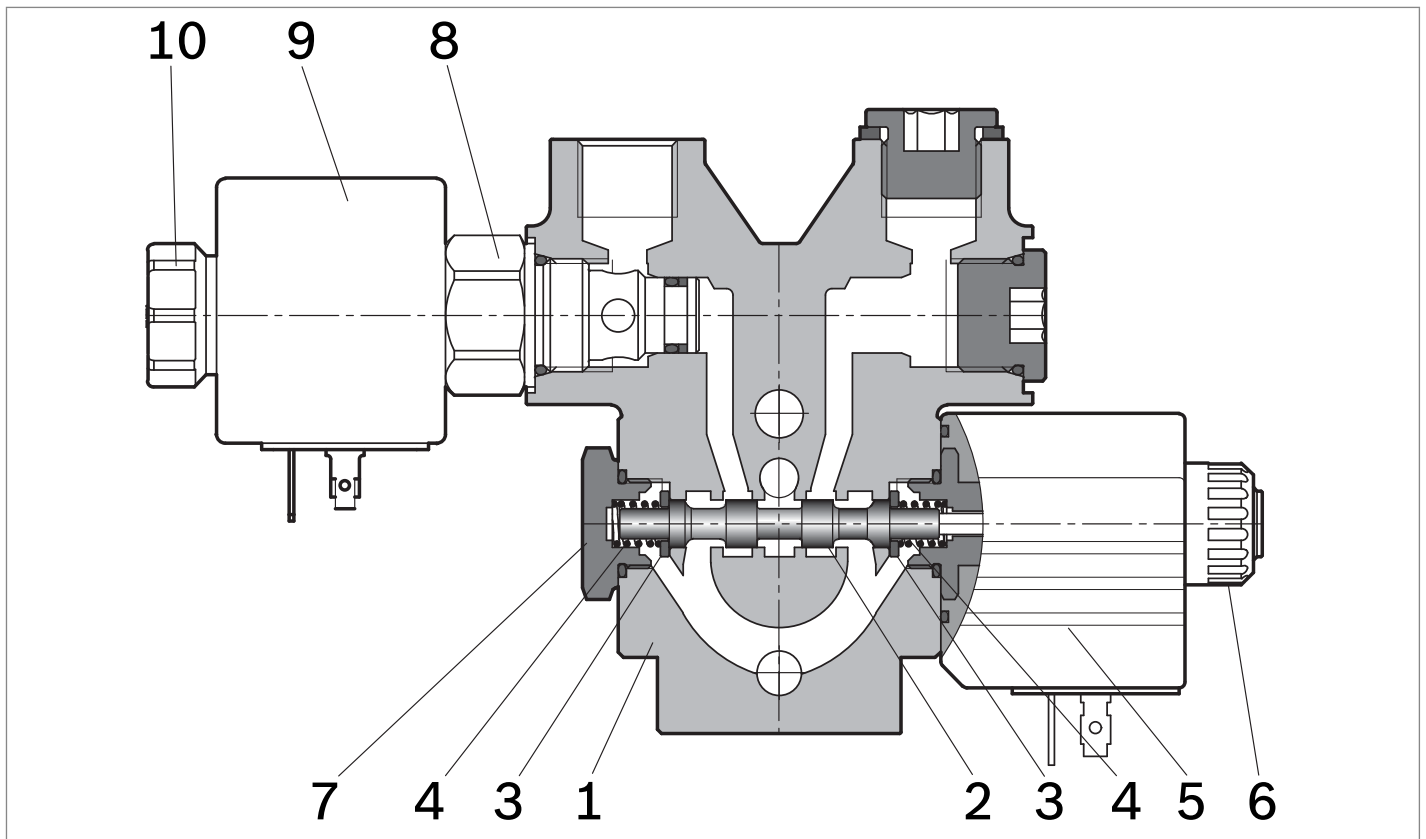
Symbols



Spool variants



Functional description



The sandwich plate design directional valve elements B8_58... are very compact direct operated solenoid valves which control the start, the direction and the leak free stop of the oil flow. These elements basically consist of a stackable housing (1) with a control spool (2), one solenoid (5), a spring holder plug (7); two return springs (4); a solenoid screw-in cartridge VEI (8) with its coil (9). When energized, the force of the solenoid (5) pushes the control spool (2) from its rest position "0" to the end position "b". If there is a solenoid cartridge VEI (8) type C, A, O, the oil flow goes directly to the port A; if there is a solenoid cartridge VEI (8) type D (Dual locking), it is

necessary to energize the solenoid cartridge as well in order to allow the oil flow to the port A. Once the solenoid (5) is de-energized, the return spring (4) pushes the spool thrust washer (3) back against the housing and the spool (2) returns in its rest position. The leak free holding at port A is provided by energizing (or de-energizing, if the VEI is NC type) the solenoid cartridge. By energizing open the VEI (8) ("C" and "A" versions), the A port is open to tank and downstream flow is possible. The coils are fastened to the respective solenoids (5) and VEI (8) by the ring nuts (6) and (10).

Technical data

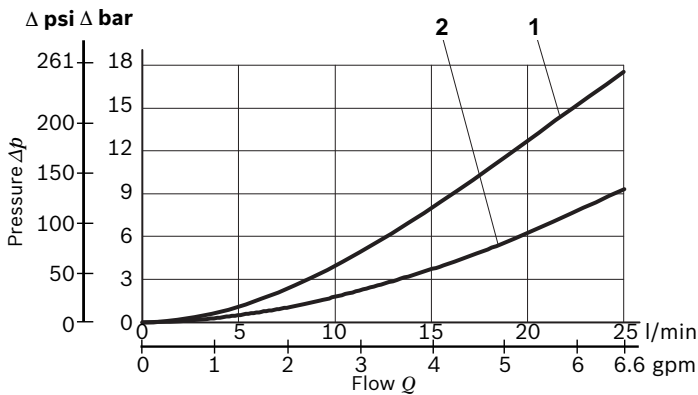
General						
Valve element with solenoid	kg (lbs)	1.8 (3.96)				
Ambient Temperature	°C (°F)	-20....+50 (-4....+122) (NBR seals)				
Hydraulic						
Maximum pressure at P, and A ports	bar (psi)	310 (4500)				
Maximum pressure at T	bar (psi)	250 (3625)				
Maximum inlet flow	l/min (gpm)	25 (6.6)				
Hydraulic fluid	General properties: it must have physical lubricating and chemical properties suitable for use in hydraulic systems such as, for example:					
		Mineral oil based hydraulic fluids HL (DIN 51524 part 1). Mineral oil based hydraulic fluids HLP (DIN 51524 part 2). For use of environmentally acceptable fluids (vegetable or polyglycol base) please consult us.				
Fluid Temperature	°C (°F)	-20....+80 (-4....+176) (NBR seals)				
Permissible degree of fluid contamination		ISO 4572: $\beta_{x \geq 75} X=12...15$ ISO 4406: class 20/18/15 NAS 1638: class 9				
Viscosity range	mm ² /s	5....420				
Electrical						
Voltage type		DC (AC only with RAC connection)				
Voltage tolerance (nominal voltage)	%	-10 +10				
Duty		Continuous, with ambient temperature $\leq 50^{\circ}\text{C}$ (122°F)				
Coil wire temperature not to be exceeded	°C (°F)	150 (302)				
Insulation class		H				
Compliance with		Low Voltage Directive LVD 73/23/EC (2006/95/EC), 2004/108/EC				
Coil weight with connection EN 175301-803	kg (lbs)	0.215 (0.44)				
Voltage	V	12	24	24	110	230
				+RAC	+RAC	+RAC
				(21,5)	(98)	(207)
Voltage type		DC	DC	DC	DC	DC
Power consumption	W	26	26	29	29	29
Current (nominal at 20 °C (68 °F))	A	2.15	1.10	1.20	0.29	0.14
Resistance (nominal at 20 °C (68 °F))	Ω	5.5	22	18	338	1430

Note

For applications with different specifications consult us

Code	Voltage [V]	Connector type	Coil description	Marking	Coil Mat no.
=OB 01	12 DC	EN 175301-803 (Ex. DIN 43650)	C3601 12DC	12 DC	R933000044
=OB 03	12 DC	AMP JUNIOR	C3603 12DC	12 DC	R933000047
=OB 07	12 DC	DEUTSCH DT 04-2P	C3607 12DC	12 DC	R933000048
=OC 01	24 DC	EN 175301-803 (Ex. DIN 43650)	C3601 24DC	24 DC	R933000053
=OC 03	24 DC	AMP JUNIOR	C3603 24DC	24 DC	R933000057
=OC 07	24 DC	DEUTSCH DT 04-2P	C3607 24DC	24 DC	R933000058
=OV 01	24 RAC	EN 175301-803 (Ex. DIN 43650)	C3601 21.5DC	21.5 DC	R933000054
=OW 01	110 RAC	EN 175301-803 (Ex. DIN 43650)	C3601 98DC	98 DC	R933000060
=OZ 01	230 RAC	EN 175301-803 (Ex. DIN 43650)	C3601 207DC	207 DC	R933000062

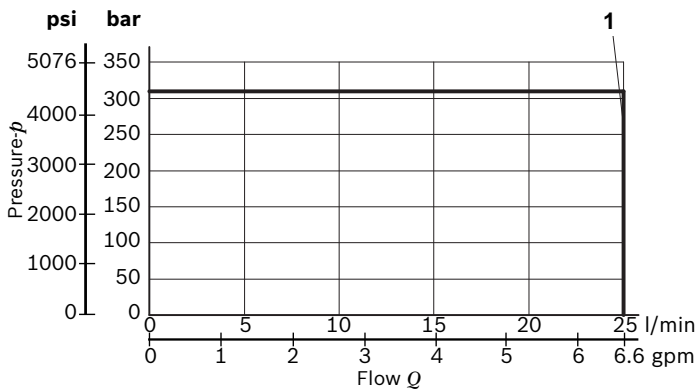
Characteristic curves



Spool Variant	Curve no.	
	B>T	P>A
X301	1	2

Measured with hydraulic fluid ISO-VG32 at 45° ±5 °C (113° ±9 °F); ambient temperature 20 °C (68 °F).

Performance limits

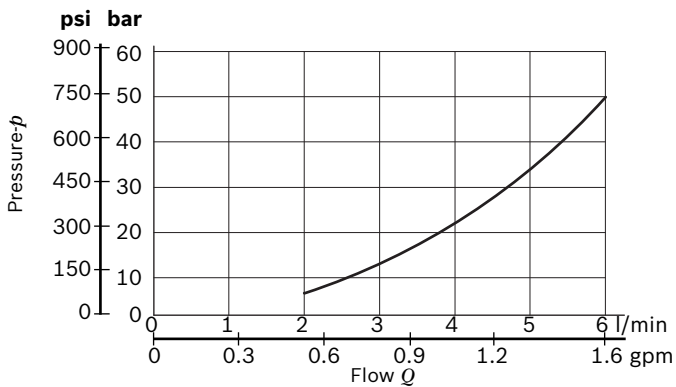


Spool Variant	Curve no.
X401	1

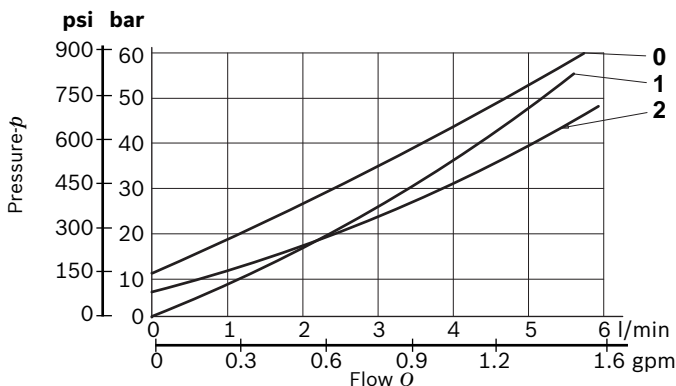
The performance curves are measured with flow going across and coming back, like P>A and B>T, with symmetrical flow areas.

In case of special circuit connections, the performance limits can change.

Minimum flow for efficiency of LS control

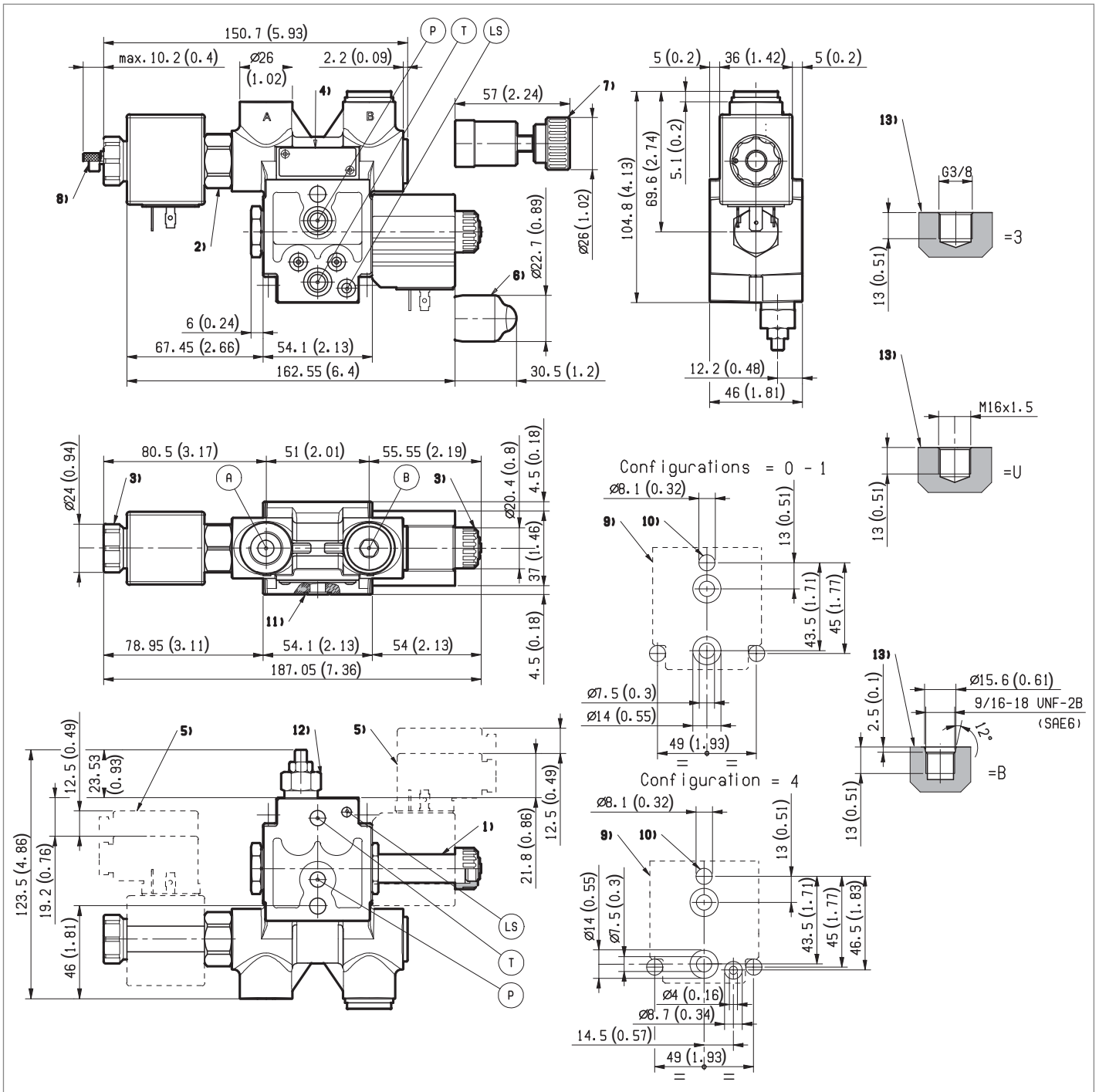


Lowest pressure setting curve for secondary valves



Secondary valve setting	Curve no.
50-210 bar (700-2950 psi)	0
100-310 bar (1400-4500 psi)	1
25-50 bar (350-700 psi)	2

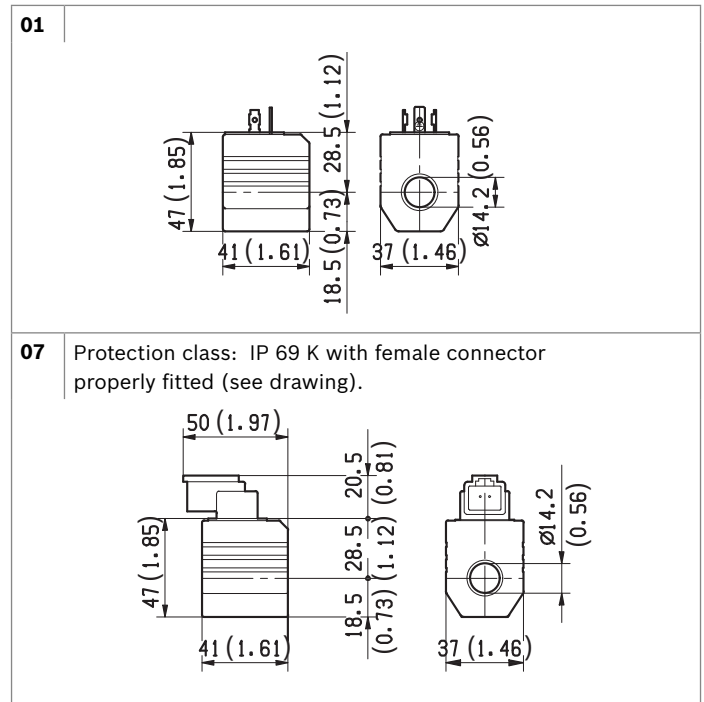
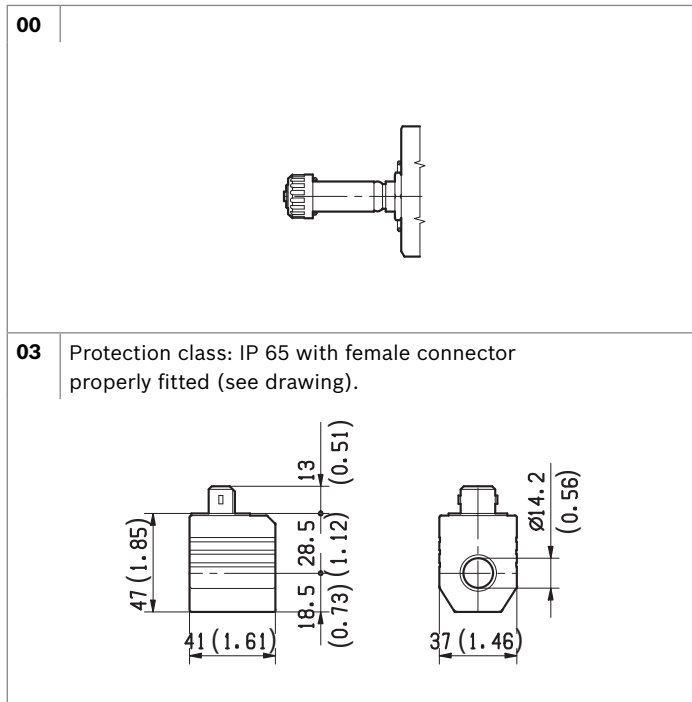
External dimensions and fittings



- 1 Solenoid tube \varnothing 14 mm (0.55 inch).
- 2 Screw-in solenoid cartridge VEI hex 24 mm (0.94 inch).
Torque 39-51Nm (28.8-37.6 lb-ft).
- 3 Ring nut for coil locking (OD 20.5 mm); torque 3-4Nm (2.2-3 ft-lb).
- 4 Identification label.
- 5 Clearance needed for connector removal.
- 6 Optional push-button manual override, EP type, for spool opening:
it is pressure stuck to the ring nut for coil locking.
Mat no. R933000042.
- 7 Optional screw type manual override, EF type, for spool opening: it

- is screwed (torque 6-7 (4.4-5.2 ft-lb)) to the tube as replacement of the coil ring nut. Mat no. R933006377.
- 8 Optional manual override for VEI cartridge: it can be push/pull or screw type. Please refer to the VEI catalogue for details.
- 9 Flange specifications for coupling to ED intermediate elements.
- 10 For tie rod and tightening torque information see data sheet RE 18301-90.
- 11 O-Rings for P and T ports.
- 12 Space needed for secondary valve in configuration 1.
- 13 A and B ports.

Electric connection



Bosch Rexroth Oil Control S.p.A.

Oleodinamica LC Division
Via Artigianale Sedrio, 12
42030 Vezzano sul Crostolo
Reggio Emilia - Italy
Tel. +39 0522 601 801
Fax +39 0522 606 226 / 601 802
compact-hydraulics-cdv@boschrexroth.com
www.boschrexroth.com/compacthydraulics

© This document, as well as the data, specifications and other information set forth in it, are the exclusive property of Bosch Rexroth Oil Control S.p.a.. It may not be reproduced or given to third parties without its consent. The data specified above only serve to describe the product. No statements concerning a certain condition or suitability for a certain application can be derived from our information. The information given does not release the user from the obligation of own judgment and verification. It must be remembered that our products are subject to a natural process of wear and aging.
Subject to change.