

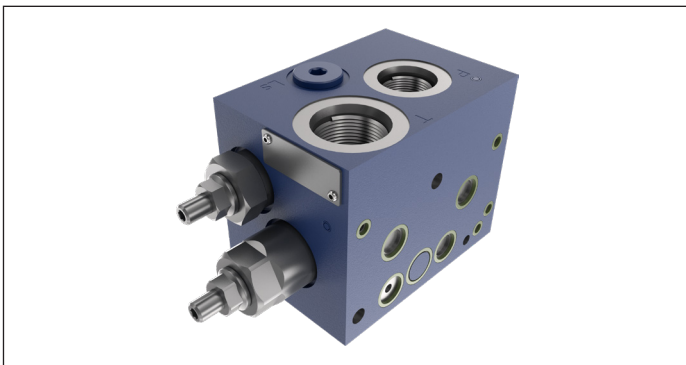
EDG Inlet Elements with LS connections and double pressure relief valve (P and LS line)

TEG-16

RE 18300-15

Edition: 07.2024

Replaces: 12.2023



Description

The inlet elements TEG-16 are employed to connect the external P,T lines to the P,T channels inside the EDG elements of the Directional Valve Assembly and to connect the LS ports of the elements equipped with LS channels. They incorporate two pressure relief cartridge which limits the maximum primary pressure in the P line and the maximum load pressure in the LS line and unloads to tank any excess flow.

The TEG-16 inlet elements are available with body made of yellow zinc plated (Cr+3) cast iron (CI).

Ports sizes can be G 1/2 or G 3/4 or SAE10 (7/8" 14 UNF). LS ports are G 1/4 for BSPP version, and SAE 6 (9/16" 18 UNF) for "UNF" version.

Technical data

General		
Weight	kg (lbs)	3.8 (8.4) With cartridges
Ambient Temperature	°C (°F)	-20....+90 (-4....+194) (NBR seals)
Hydraulic		
Maximum pressure	bar (psi)	350 (5000)
Maximum flow	l/min (gpm)	120 (31.7)
Hydraulic fluid		Mineral oil based hydraulic fluids HL (DIN 51524 part 1). Mineral oil based hydraulic fluids HLP (DIN 51524 part 2). For use of environmentally acceptable fluids (vegetable or polyglycol base) please consult us.
General properties: it must have physical lubricating and chemical properties suitable for use in hydraulic systems.		
Fluid Temperature	°C (°F)	-20....+100 (-4....+212) (NBR)
Permissible degree of fluid contamination		ISO 4572: $\beta_x \geq 75$ X=12...15 ISO 4406: class 19/17/14 NAS 1638: class 8
Viscosity range	mm ² /s	5....420

Note

For applications with different specifications consult us.

Ordering details

00	01	02	03	04	05	06	07
TEG	-	16	/	2	-	-	-

Family

00	Inlet Elements for EDG family	TEG
----	-------------------------------	-----

Configuration

01	With P and LS relief valves	16
----	-----------------------------	----

Flange

02	With P-TA-TB-LS-YA-YB-X-Y lines	2
----	---------------------------------	---

Pilot oil supply option ¹⁾

03	No pilot oil supply option: without valve cavity (not drilled) for pressure reducing and relieving valve, without external oil supply	0
	With pressure reducing and relieving MHRDB, without external oil supply	1
	With pressure reducing and relieving MHRDB, with external oil supply	2
	Without pressure reducing and relieving MHRDB (with normally open plug - R930088470), with external oil supply	3
	With pressure reducing and relieving valve cavity plugged (with normally closed plug - R930074980)	9

Ports and connections

04	P G 1/2 DIN 3852; T G 3/4 DIN 3852; LS G 1/4 DIN 3852; MP G 1/4 DIN 3852	01
	P G 1/2 DIN 3852; T G 1/2 DIN 3852; LS G 1/4 DIN 3852; MP G 1/4 DIN 3852	02
	P SAE10; T SAE12; LS SAE6; MP SAE6	04
	P SAE8; T SAE10; LS SAE6; MP SAE6	06

Primary pressure relief valve (P relief)

05	35-140 bar (508-2030 psi)	1
	70-280 bar (1000-4000 psi)	2
	140-420 bar (2000-6000 psi)	3
	Plugged	9
	Drilled (not plugged)	0

Secondary pressure relief range (LS relief)

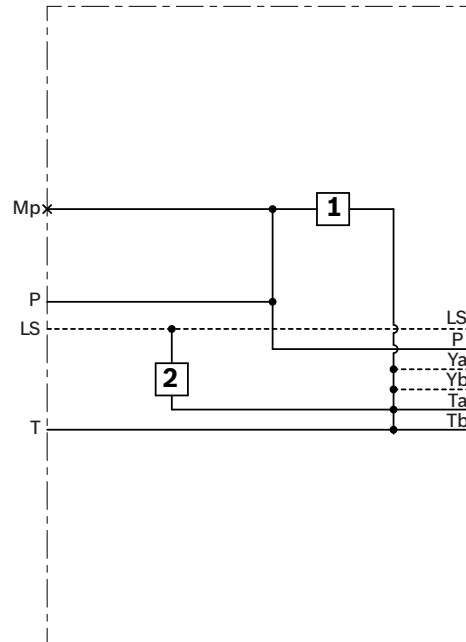
06	35-140 bar (508-2030 psi)	1
	105-210 bar (1500-3000 psi)	2
	175-350 bar (2500-5000 psi)	3
	Plugged	9
	Drilled (not plugged)	0

Material

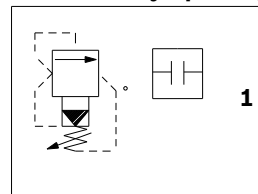
07	Cast Iron	CI
----	-----------	----

Symbol

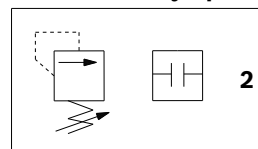
TEG-16/20-_-



Main relief cavity option (P line)



LS relief cavity option

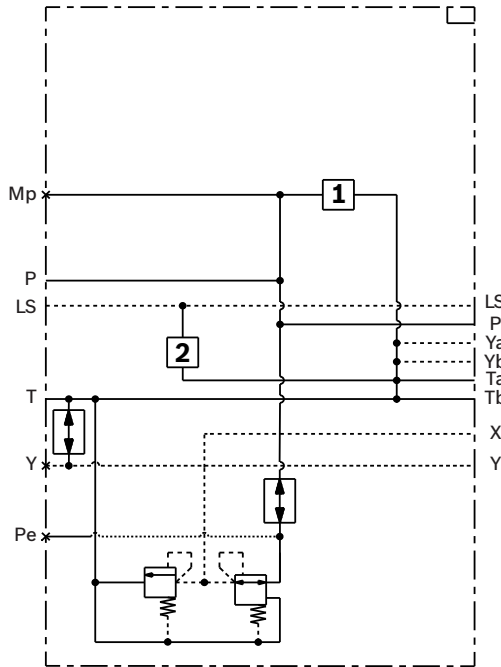


¹⁾ Pressure reducing valve MHRDB setting: 35 bar (508 psi) - R900641606

Symbol

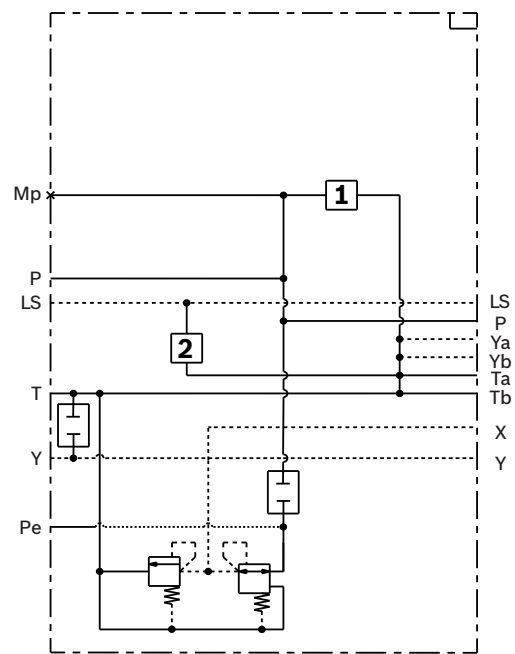
TEG-16/21-_-

With pressure reducing and relieving MHRDRDB, without external oil supply



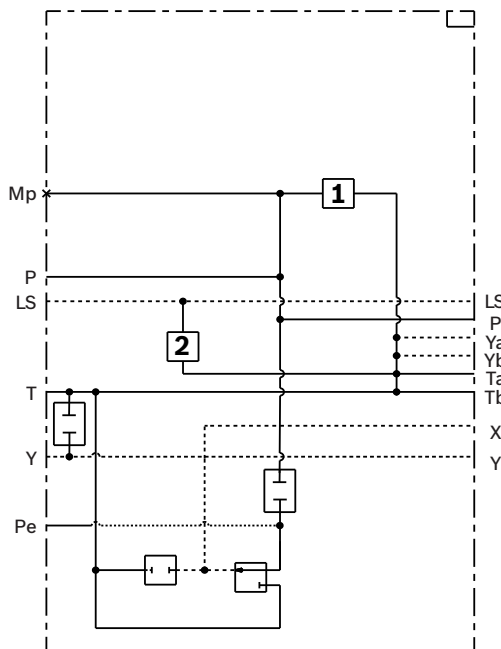
TEG-16/22-_-

With pressure reducing and relieving MHRDRDB with external oil supply



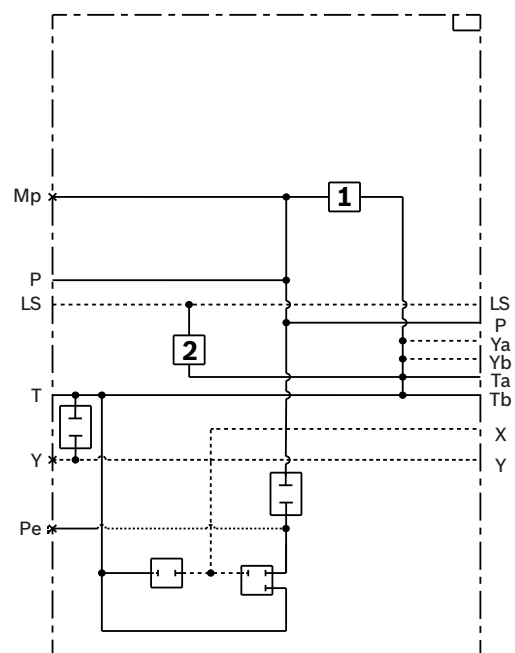
TEG-16/23-_-

Without pressure reducing and relieving MHRDRDB (with Normally open plug), with external oil supply

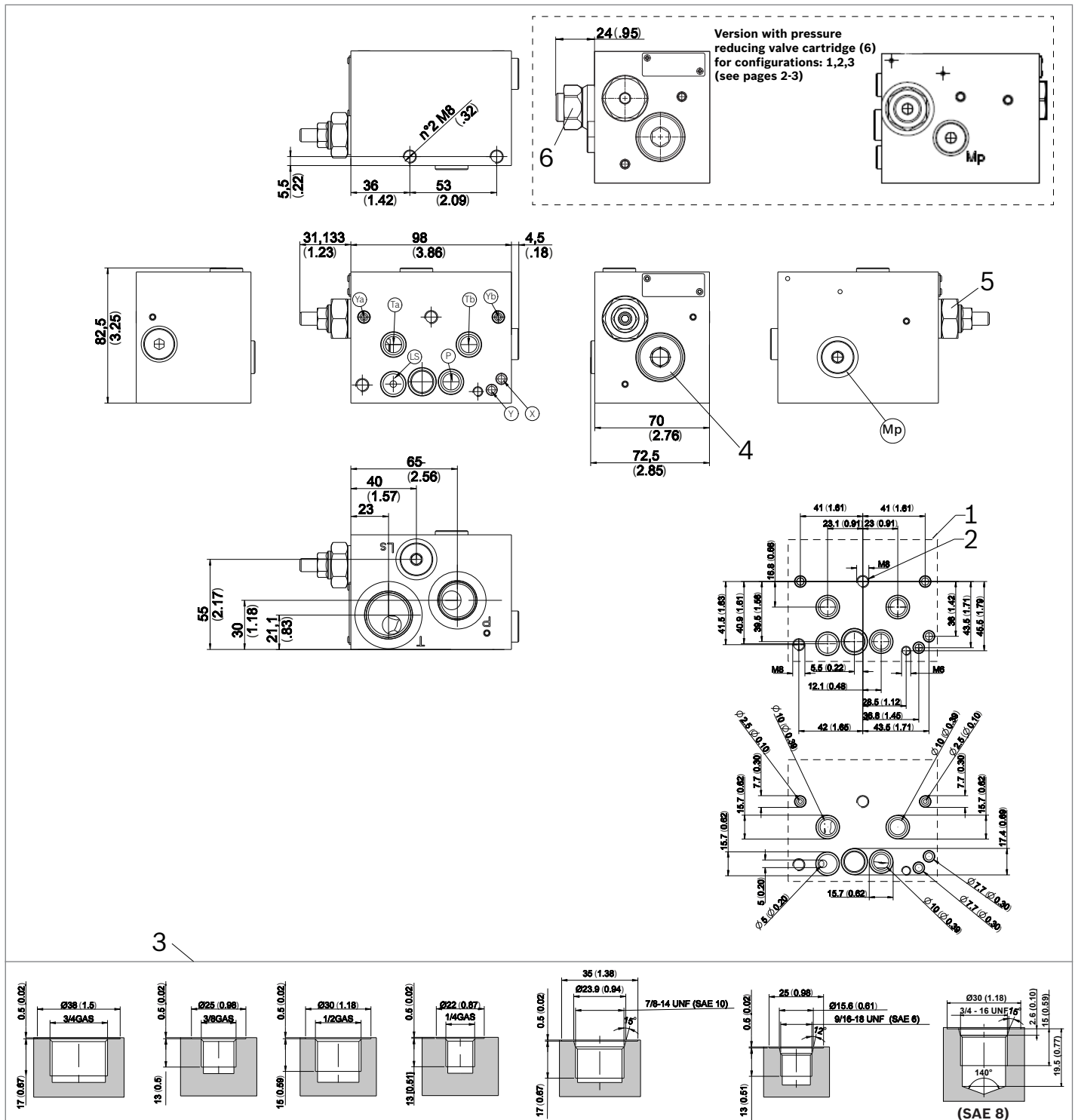


TEG-16/29-_-

Without pressure reducing and relieving MHRDRDB (with Normally closed plug), without external oil supply



External dimensions and fittings



- 1 Flange specifications for coupling to the EDG Directional Valve Elements
- 2 Three threaded holes two M8 and one M6 for coupling of the EDG Directional Valve Elements.
- 3 Hydraulic ports detail. For port configuration, please see pag. 2.
- 4 Plug. As option, primary pressure relief cartridge (P line) VSPN-10A (refer to RE 18318-08).
- 5 Secondary pressure relief cartridge (LS line) VSNB, with screw type adjuster (refer to RE 18318-04).
- 6 Pressure reducing and relieving valve MHRDB, optional configuration (refer to RE 18318-55).

Bosch Rexroth Oil Control S.p.A.

Oleodinamica LC Division
Via Artigianale Sedrio, 12
42030 Vezzano sul Crostolo
Reggio Emilia - Italy
Tel. +39 0522 601 801
Fax +39 0522 606 226 / 601 802
compact-hydraulics-cdv@boschrexroth.com
www.boschrexroth.com/compacthydraulics

© This document, as well as the data, specifications and other information set forth in it, are the exclusive property of Bosch Rexroth Oil Control S.p.a.. It may not be reproduced or given to third parties without its consent. The data specified above only serve to describe the product. No statements concerning a certain condition or suitability for a certain application can be derived from our information. The information given does not release the user from the obligation of own judgment and verification. It must be remembered that our products are subject to a natural process of wear and aging.
Subject to change.