

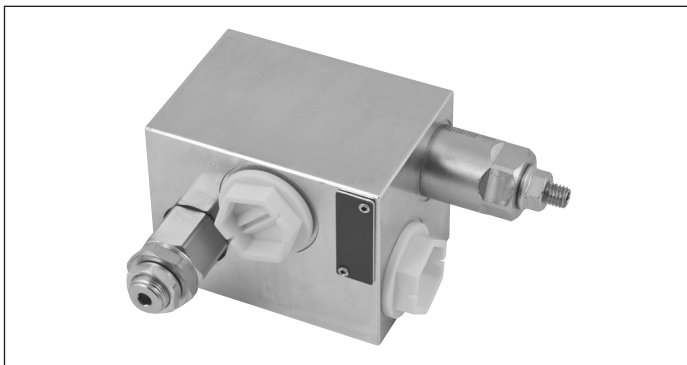
Inlet Elements with LS connections and double pressure relief valve (P and LS line)

TE-16-__-

RE 18300-14

Edition: 05.2024

Replaces: 02.2016



Description

The inlet elements TE-16-__ are employed to connect the external P,T lines to the P,T channels inside the ED elements of the Directional Valve Assembly and to connect the LS ports of the elements equipped with LS channels. They incorporate two pressure relief cartridge which limits the maximum primary pressure in the P line and the maximum load pressure in the LS line and unloads to tank any excess flow.

The TE-16-__ inlet elements are available with body made of yellow zinc plated (Cr+3) cast iron (CI).

Ports sizes can be G 1/2 or G 3/4 or SAE10 (7/8" 14 UNF). LS ports are G 1/4 for BSPP version, and SAE 4 (7/16" 20 UNF) for "UNF" version.

Technical data

General		
TE16...	kg (lbs)	2.6 (6)
Ambient Temperature	°C (°F)	-20...+50 (-4...+122) (NBR seals)
Hydraulic		
Maximum pressure	bar (psi)	310 (4500)
Maximum flow	l/min (gpm)	120 (31.7)
Hydraulic fluid		Mineral oil based hydraulic fluids HL (DIN 51524 part 1).
General properties: it must have physical lubricating and chemical properties suitable for use in hydraulic systems such as, for example:		Mineral oil based hydraulic fluids HLP (DIN 51524 part 2). For use of environmentally acceptable fluids (vegetable or polyglycol base) please consult us.
Fluid Temperature	°C (°F)	-20...+80 (-4...+176) (NBR)
Permissible degree of fluid contamination		ISO 4572: $\beta_{x \geq 75} X = 12 \dots 15$ ISO 4406: class 19/17/14 NAS 1638: class 8
Viscosity range	mm ² /s	5...420

Note

For applications with different specifications consult us

Ordering details

01	02	03	04	05	06	07
TE	-	16	-	-	-	CI

Family

01	Inlet Elements	TE
----	----------------	-----------

Configuration

02	Inlet plate for LS pump system with double check valve (on P and LS line)	16
----	---	-----------

Ports

03	G 1/2 DIN 3852	03
	G 3/4 DIN 3852	04
	7/8-14 UNF-2B (SAE10)	57

Primary pressure relief range

04	35-140 bar (508-2030 psi)	10
	70-280 bar (1015-4060 psi)	20
	140-420 bar (2030-6091 psi)	35
	Plugged	0P

Secondary pressure relief valve

05	25-120 bar (362-1470 psi)	SN
	40-200 bar (580-2900 psi)	SB
	200-350 bar (2900-5076 psi)	SV
	Plugged	0P

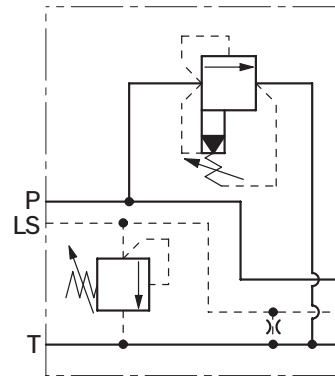
Size of drain orifice for LS

06	Closed	0X
	Diam. 0.3 ($\varnothing 0.5 + \text{wire} 0.4$) ¹⁾	0C
	Diameter 0.4	0E

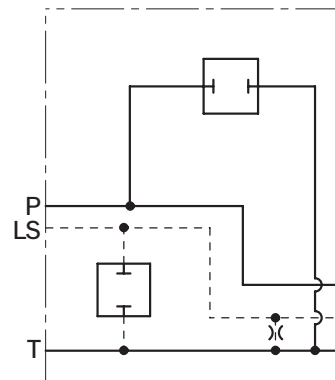
Material

07	Cast Iron	CI
----	-----------	-----------

TE-16-__



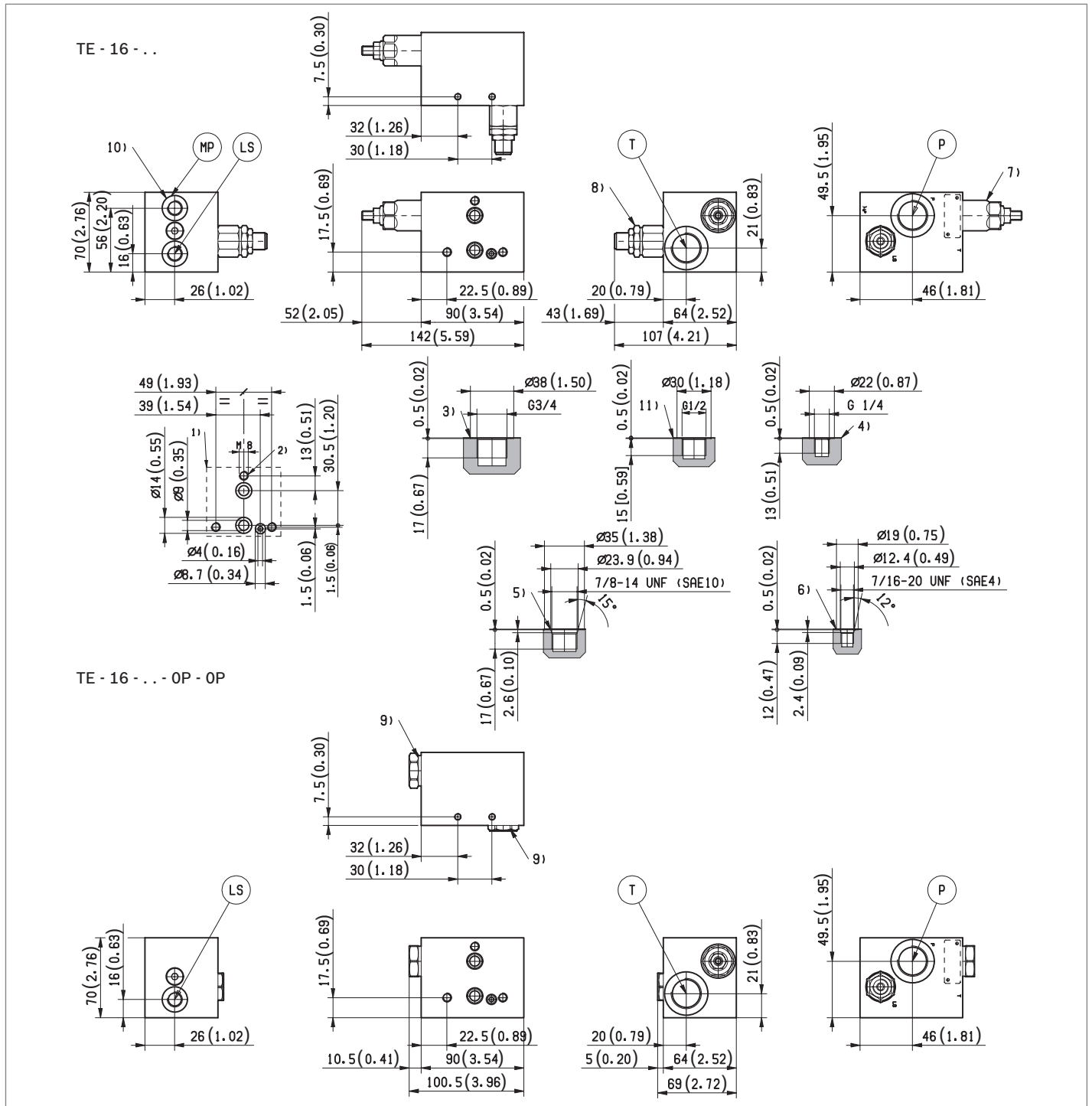
TE-16-__ - 0P - 0P



1) Recommended version.

Symbol

External dimensions and fittings



- 1 Flange specifications for coupling to the ED Directional Valve Elements
- 2 Three threaded holes M8 for coupling of the ED Directional Valve Elements (refer to RE 18301-90/10.09).
- 3 Hydraulic ports P and T G 3/4 , inlet elements TE-16-04-...
- 4 Hydraulic ports MP,LS, G 1/4, inlet elements TE-16-03-... and hydraulic ports LS G 1/4, inlet elements TE-16-04-..
- 5 Hydraulic ports P and T SAE10, inlet elements TE-16-57-...

- 6 Hydraulic ports LS SAE4, inlet elements TE-16-57-...
- 7 Primary pressure relief cartridge (P line) VSPN-10A, with screw type adjuster (refer to RE18318-08-09.09).
- 8 Secondary pressure relief cartridge (LS line) VMD1020, with screw type adjuster.
- 9 plugs for primary and secondary pressure relief valves
- 10 Hydraulic ports MP G 1/4, available only for inlet elements TE-16-03-..
- 11 Hydraulic ports P and T G 1/2, inlet elements TE-16-03-..

Bosch Rexroth Oil Control S.p.A.

Oleodinamica LC Division
Via Artigianale Sedrio, 12
42030 Vezzano sul Crostolo
Reggio Emilia - Italy
Tel. +39 0522 601 801
Fax +39 0522 606 226 / 601 802
compact-hydraulics-cdv@boschrexroth.com
www.boschrexroth.com/compacthydraulics

© This document, as well as the data, specifications and other information set forth in it, are the exclusive property of Bosch Rexroth Oil Control S.p.a.. It may not be reproduced or given to third parties without its consent. The data specified above only serve to describe the product. No statements concerning a certain condition or suitability for a certain application can be derived from our information. The information given does not release the user from the obligation of own judgment and verification. It must be remembered that our products are subject to a natural process of wear and aging.
Subject to change.