

Accessories, hand pump

Common cavity, Size 08

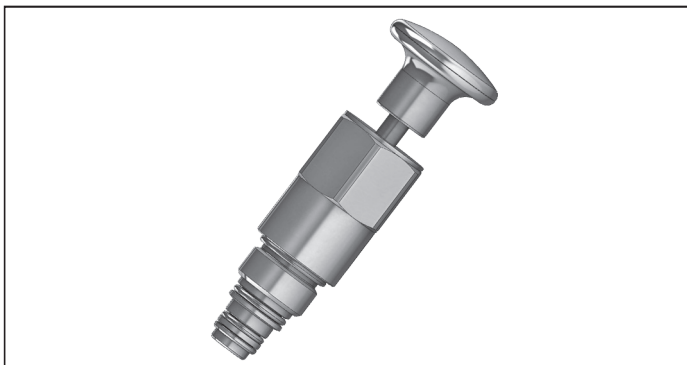
PM-06

PM.51.10.00.18.00

RE 18321-95

Edition: 07.2014

Replaces: 01.2010

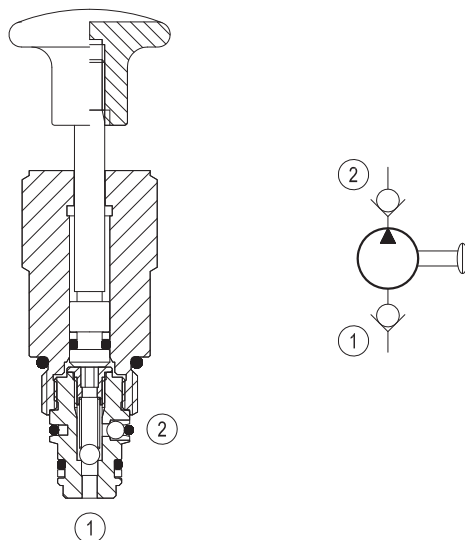


Description

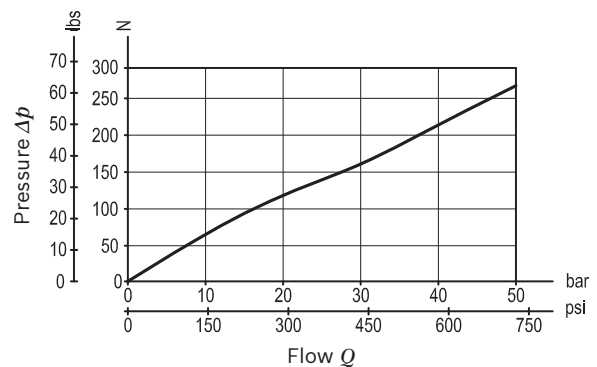
When the operator is pushed PM-06 delivers hydraulic flow from port 1 to port 2. The inlet and outlet checks are integral to the cartridge.

Technical data

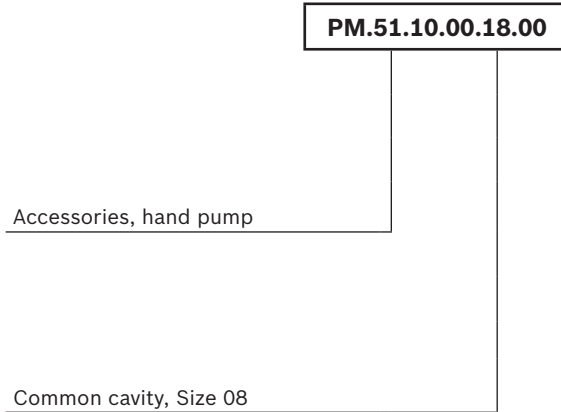
Max. operating pressure port 1	50 bar (725 psi)
Max. operating pressure port 2	210 bar (3000 psi)
Displacement	1 cm ³ (0.06 cu.in.)
Fluid temperature range	-30 to 100 °C (-22 to 212 °F)
Installation torque	34 - 41 Nm (25 - 30 ft-lbs)
Weight	0.15 kg (0.33 lbs)
Cavity	CA-08A-2N (see data sheet 18325-70)
Lines bodies and standard assemblies	Please refer to section "Hydraulic integrated circuit" or consult factory
Fluids	Mineral-based or synthetics with lubricating properties at viscosities of 10 to 500 mm ² /s (cSt)
Recommended degree of fluid contamination	Nominal value max. 10µm (NAS 8) / ISO 4406 19/17/14
Installation position	No restrictions
Other Technical Data	See data sheet 18350-50



Characteristic curve



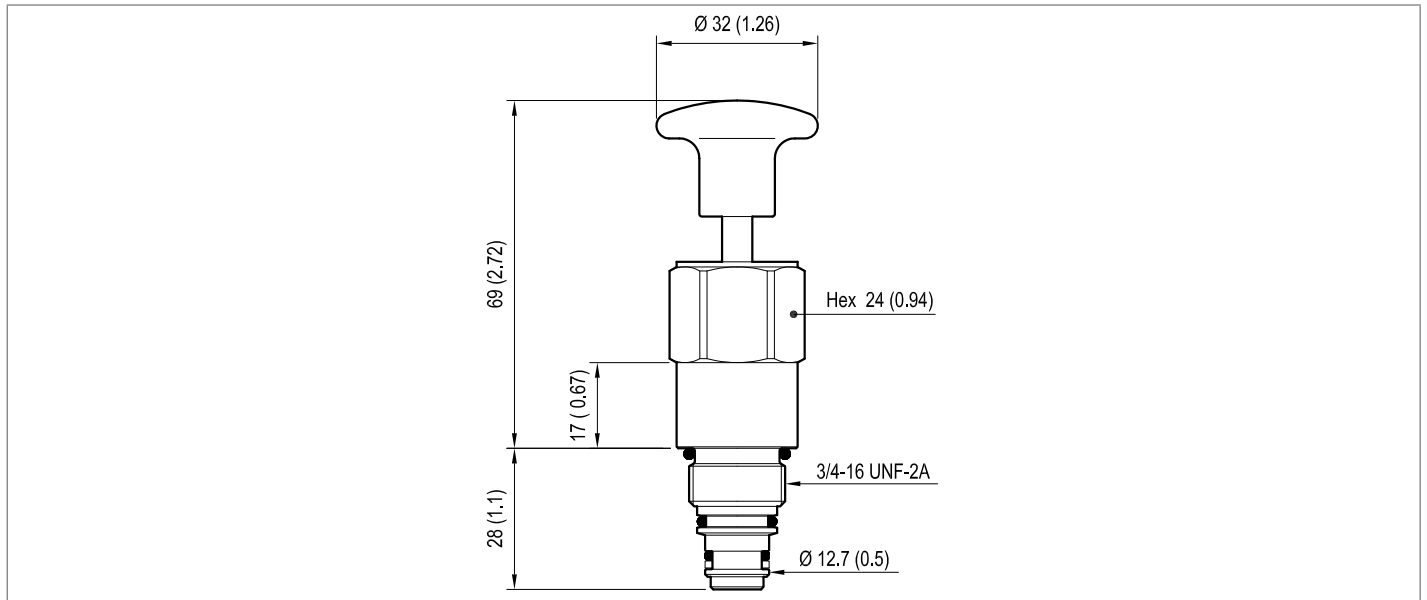
Ordering code



Type	Material number
PM511000180000	R934003665

Type	Material number

Dimensions



Bosch Rexroth Oil Control S.p.A.
 Via Leonardo da Vinci 5
 P.O. Box no. 5
 41015 Nonantola – Modena, Italy
 Tel. +39 059 887 611
 Fax +39 059 547 848
 compact-hydraulics-cv@boschrexroth.com
 www.boschrexroth.com/compacthydraulics

© This document, as well as the data, specifications and other information set forth in it, are the exclusive property of Bosch Rexroth Oil Control S.p.a.. It may not be reproduced or given to third parties without its consent. The data specified above only serve to describe the product. No statements concerning a certain condition or suitability for a certain application can be derived from our information. The information given does not release the user from the obligation of own judgment and verification. It must be remembered that our products are subject to a natural process of wear and aging. Subject to change.