

# Solenoid operated valves

## 4-way 2-positions

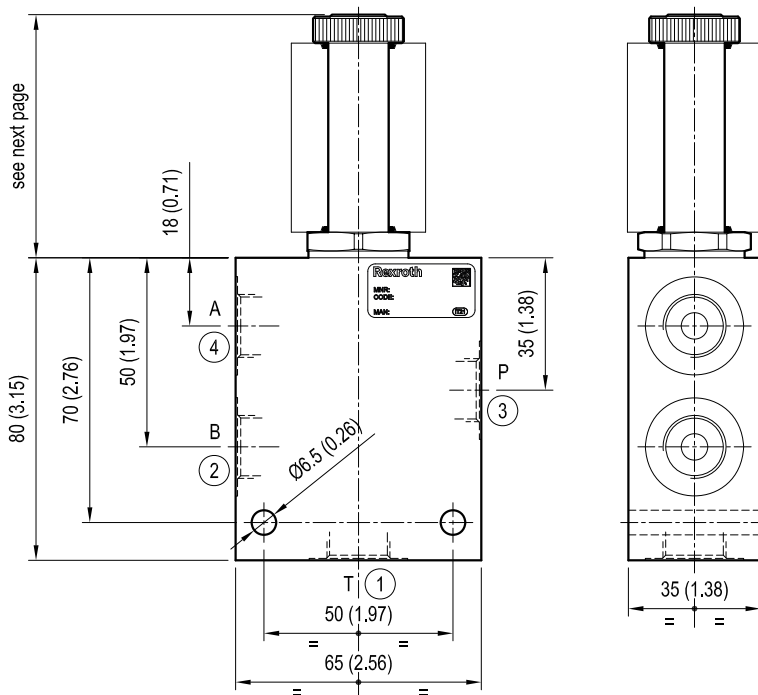
Common cavity size 10

Cartridge style in manifold

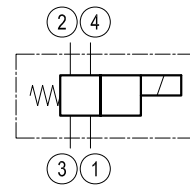
VED-CS-7I-42-09

OS.14 - K - 78 - Y - Z - W

### Dimensions



[ mm (Inches) ]



### Cartridge schemes

monodirectional type	bidirectional type

### Technical data

Max flow: up to 20 l/min (6 gpm)

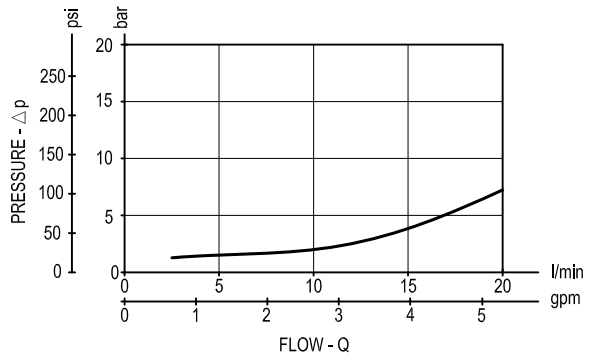
Max operating pressure: 210 bar (3000 psi)

Standard manifolds in high strength **aluminium**.

To order only manifold see data sheet RE 18325-85



## Performance graph



## Ordering code

OS.14	K	78	Y	Z	W
-------	---	----	---	---	---

Manifold with solenoid operated valve, 4-way 2-positions

Cartridge scheme (see page 1 and 2)

= 40

Bidirectional

= 41

Common cavity size 10

Manifold material

= 00 Aluminium

Port sizes (see table on page 2)

= 09 G 1/4

= 02 G 3/8

See table on page 2