

Solenoid operated valves

4-way 2-positions

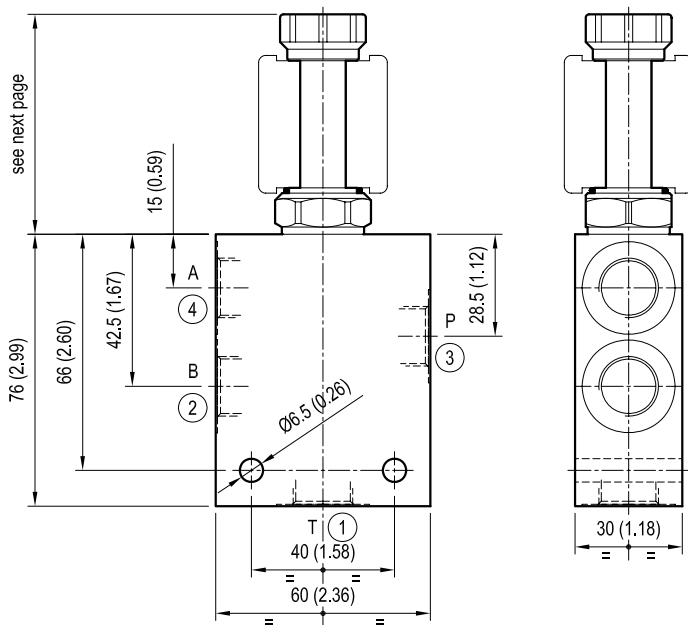
Common cavity size 08

Cartridge style in manifold

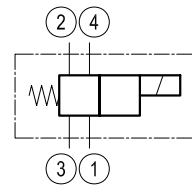
VED-CS-8I-42-06

OS.14 - K - 58 - Y - Z - W

Dimensions



[mm (inches)]



Cartridge schemes

monodirectional type	bidirectional type

Technical data

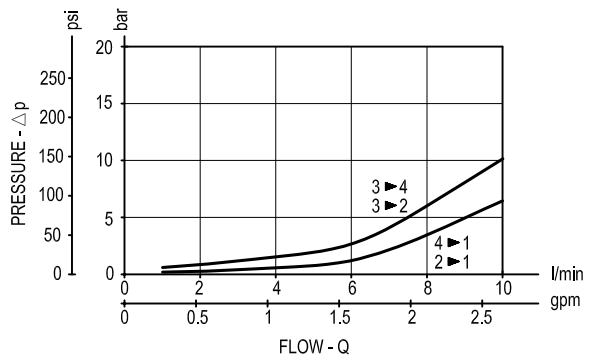
Max flow: up to 10 l/min (3 gpm)

Max operating pressure: 210 bar (3000 psi)

Standard manifolds in high strength **aluminium**.

To order only manifold see data sheet RE 18325-85

Performance graph



Ordering code

OS.14	K	58	Y	Z	W
-------	---	----	---	---	---

Manifold with solenoid operated valve, 4-way 2-positions

Cartridge scheme (see page 1 and 2)

= 40

Bidirectional

= 41

Common cavity size 08

Manifold material

= 00 Aluminium

Port sizes (see table on page 2)

= 09 G 1/4

= 02 G 3/8

See table on page 2