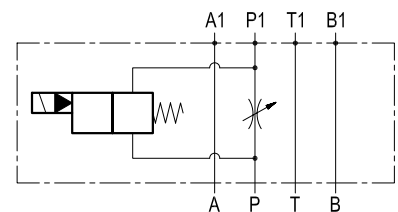
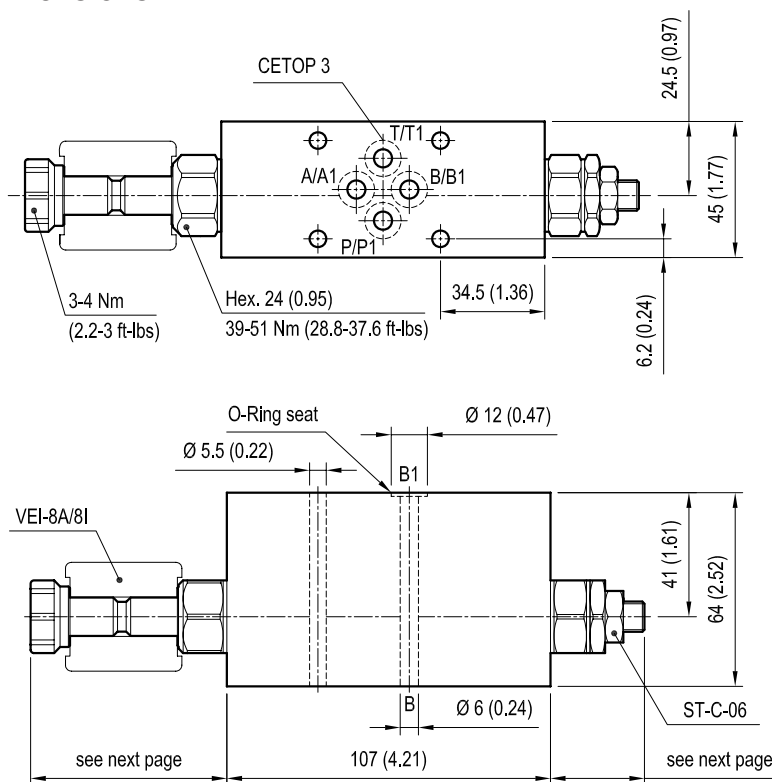


## Sandwich valves, module with solenoid valve and flow restrictor

EM-VEI8A/8I-ST-CETOP3-P1

OP . 63 - K - X - 29 - Y

### Dimensions



### Technical data

Max flow: up to 40 l/min (11 gpm)

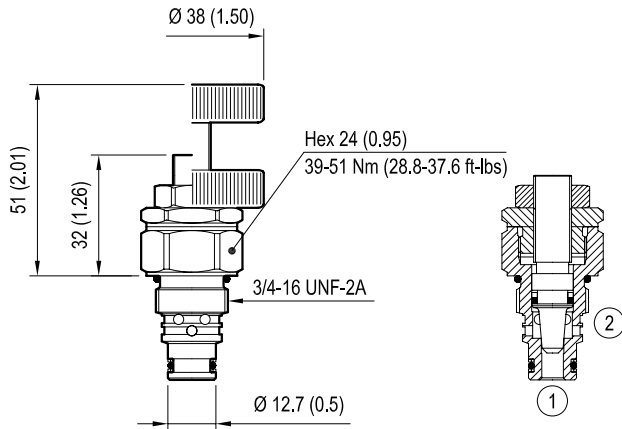
Max operating pressure: 210 bar (3000 psi)

Standard manifolds in high strength **aluminium**.  
For working pressure up to 350 bar (5000 psi)  
and for fatigue applications with any working  
pressure, steel manifolds are available upon  
request.

[ mm (inches) ]

CARTRIDGE CODE	OP63	- K -		- X -	29	- Y -		CARTRIDGE SCHEME	
		monodir.	bidir.			Rated Flow		monodir.	bidir.
						30 l/min (8 gpm)	40 l/min (11 gpm)		
	OD15	<b>01</b>		see next page	18	<b>3I</b>	<b>3A</b>		
	OD15	<b>01</b>			18	<b>3M</b>	<b>3D</b>		
	OD15	<b>02</b>			18	<b>1I</b>	<b>1A</b>		
	OD15	<b>02</b>			18	<b>1L</b>	<b>1B</b>		
	OD15	<b>02</b>			18	<b>1M</b>	<b>1C</b>		

**ST-C-06 FLOW RESTRICTOR**  
code OD.21.01.X.56.Z



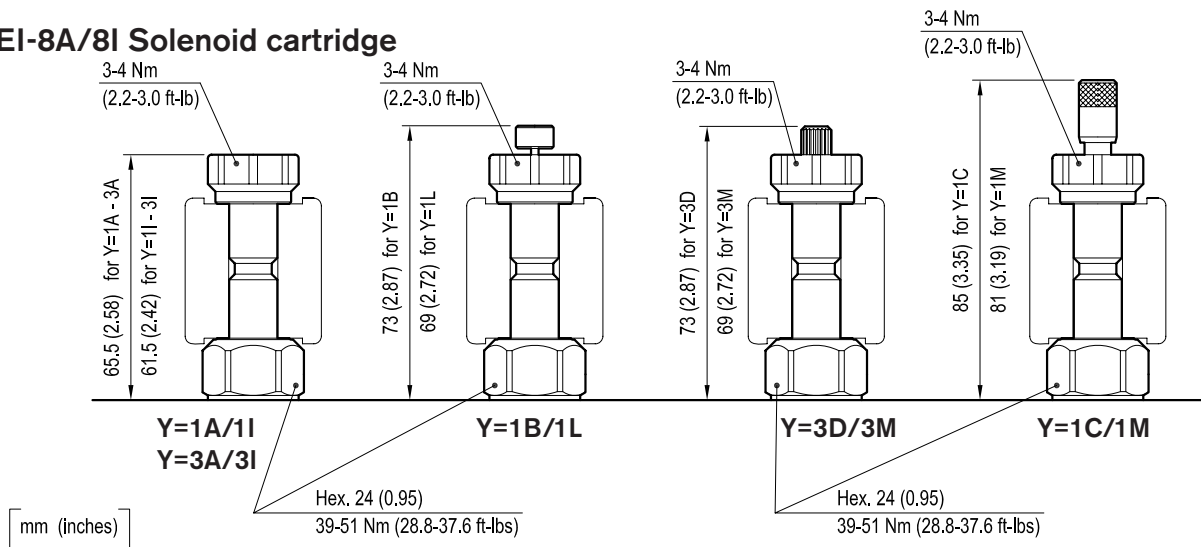
[ mm (inches) ]

Table "X"

X	ST-C-06 ADJUSTMENTS	
03	Leakproof hex. socket screw	
04	Handknob and locknut	

For other details see data sheet RE 18321-26

**VEI-8A/8I Solenoid cartridge**



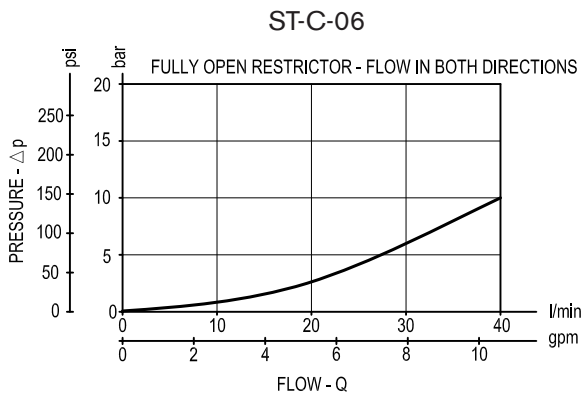
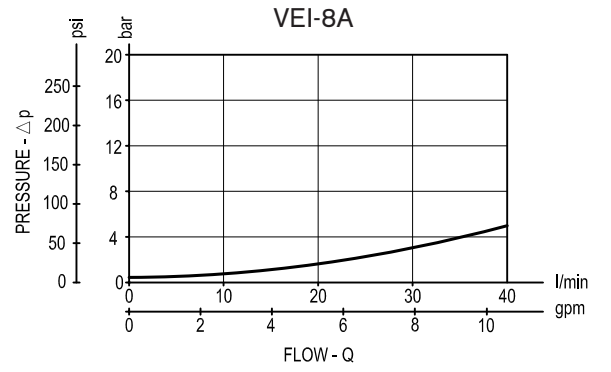
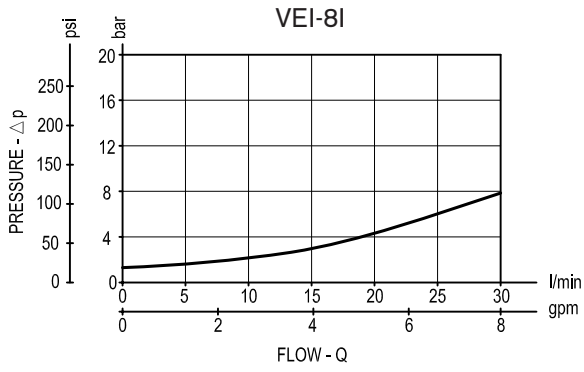
[ mm (inches) ]

Table "Y"

Y	MANUAL OVERRIDE OPTIONS	
	K = 01	K = 02
1A/1I	/	No override
1B/1L	/	Push style
1C/1M	/	Push and twist style
3A/3I	No override	/
3D/3M	Knob style	/

VEI-8A TECHNICAL DATA		
Internal leakage:	max. 1 cm <sup>3</sup> /min	(0.06 inch <sup>3</sup> /min)
Filtration:	25 µm nominal or better	
Minimum voltage required:	90% of nominal value	
Coil:	S8-356 (must be ordered separately) (see data sheet RE 18325-90)	
For other details see cartridge data sheet		

Performance graph



Ordering code

OP.63	K	X	29	Y
-------	---	---	----	---

**Sandwich valves module with solenoid valve and flow restrictor**

**Cartridge scheme** (see page 1)

- = 01                  Monodirectional
- = 02

**Cartridge adjustment** (see page 2)

- = 03                  Leakproof hex. socket screw
- = 04                  Handknob and locknut

**Manual override options**  
(see page 2)

**Flange CETOP 3 (DOT3)**

Preferred types (readily available)

Type	Material number
OP630103293A00	R934002733
OP630104293A00	R934002734
OP630203291A00	R934002735
OP630204291A00	R934003392

Type	Material number

Further types available by request