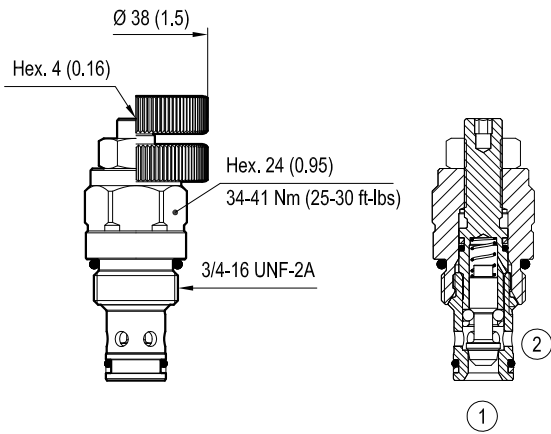


Cartridge style



[mm (inches)]

SIZE 10

Table "K"

			K				
CARTRIDGE CODE	04	01	05	X	85	00	STVU-10A

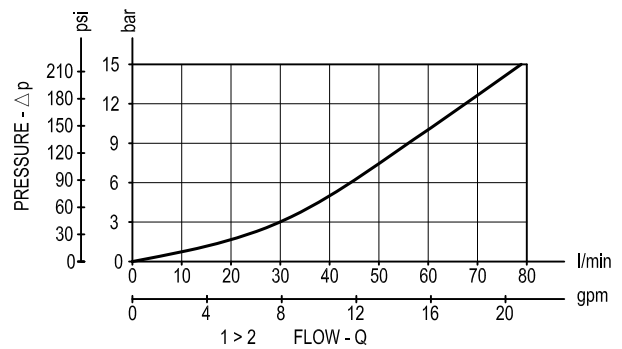
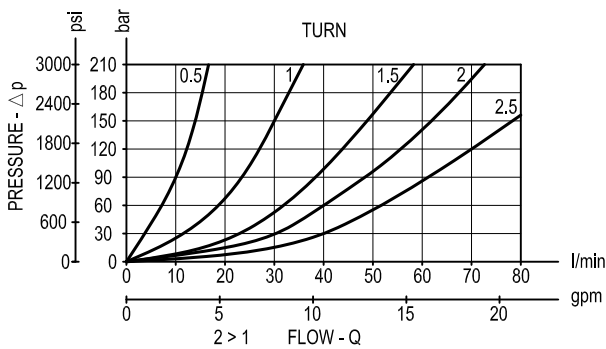
Table "X"

X	ADJUSTMENTS	
03	Leakproof hex. socket screw	
04	Handknob and locknut	

CARTRIDGE TECHNICAL DATA

Common cavity: **CA-10A-2N**
 For other details see data sheet RE 18321-11

Performance graphs



Ordering code

ON.09	K	X	Y	00	W
--------------	----------	----------	----------	-----------	----------

Manifold with needle restrictor, free reverse flow

Cartridge style - Common cavity
(see table K on page 2)

Cartridge style - Adjustments
(see table X on page 2)

Manifold material

= 00	Aluminium manifold
= S0	Steel manifold

Manifold style - Dimensions and port sizes
(see table Y on page 1)

Preferred types (readily available)

Type	Material number
ON0905030400S0	R934003577

Type	Material number

Further types available by request

