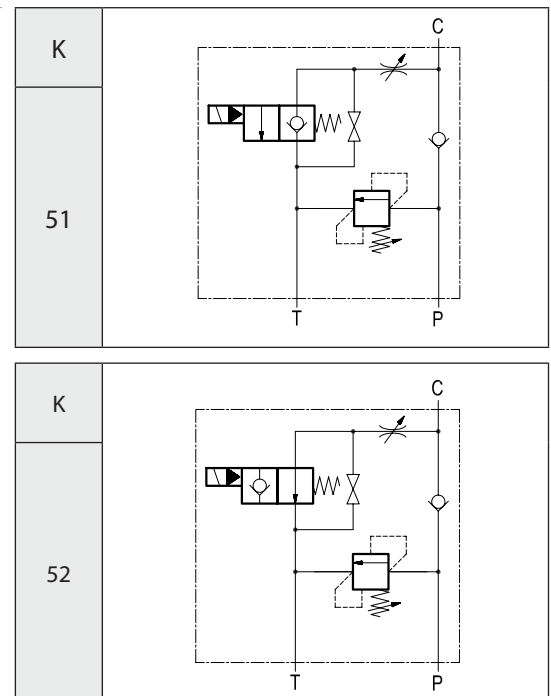
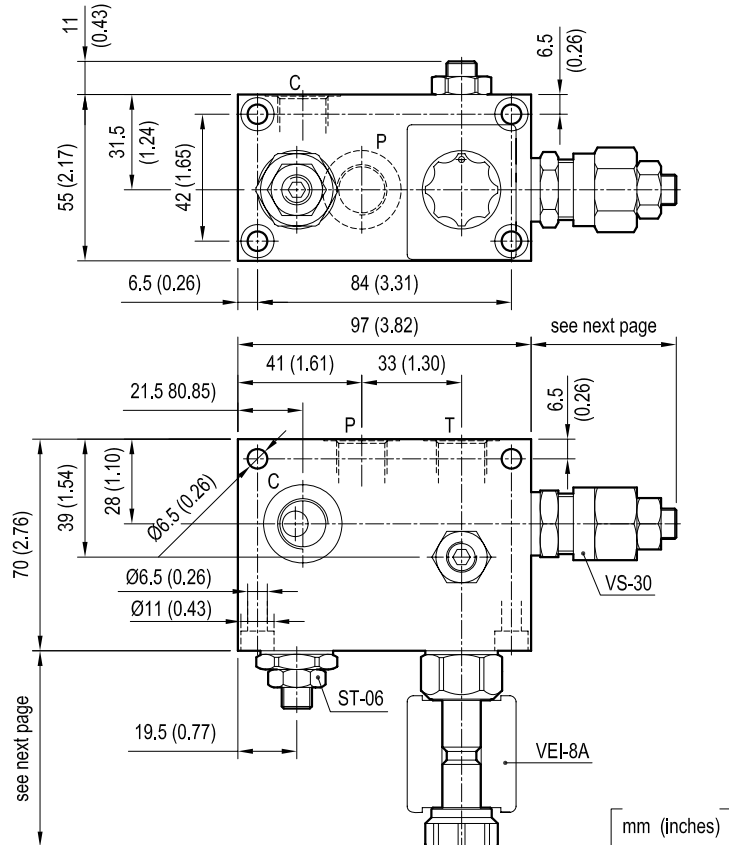


Standard integrated circuits for single-acting cylinder

VEI8A-VU-VS-ST-06

OL - K - Y - Z - W - 00

Dimensions



Technical data

Max flow: up to 25 l/min (7 gpm)

Max operating pressure: 210 bar (3000 psi)

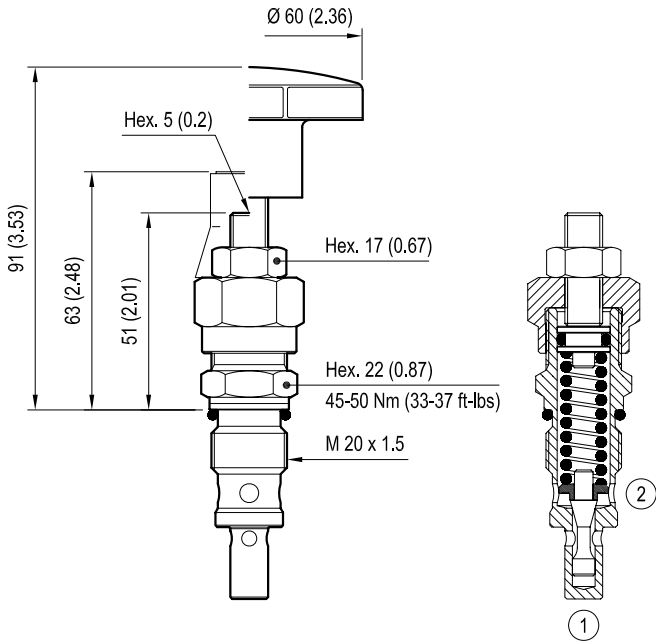
Standard manifolds in high strength aluminium.

For working pressure up to 350 bar (5000 psi) and for fatigue applications with any working pressure, steel manifolds are available upon request.

Weight: 1.3 kg (2.9 lbs)

These integrated circuit contains one relief valve type VS-30 operating from P to T and one solenoid valve type VEI-8A (see next page).

VS30 Cartridge valve (code 04.11.18.X.99.Z)



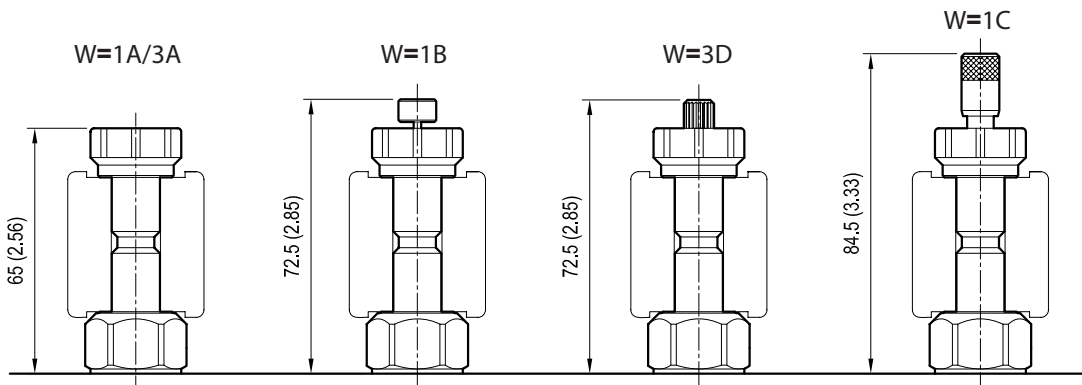
| Z | | VS-30 SETTING | | |
|---|----|-------------------------------|-------------------------------------|------------------------------------|
| | | Adj. pressure range bar (psi) | Press. increase bar/turn (psi/turn) | Std. setting bar (psi) (Q=5 l/min) |
| | 04 | 30-100 (435-1450) | 24 (348) | 100 (1450) |
| | 07 | 50-210 (725-3000) | 47 (682) | 200 (2900) |
| | 10 | 100-350 (1450-5000) | 82 (1189) | 350 (5000) |
| | 05 | 30-100 (435-1450) | 24 (348) | 100 (1450) |
| | 08 | 50-210 (725-3000) | 47 (682) | 200 (2900) |
| | 11 | 100-350 (1450-5000) | 82 (1189) | 350 (5000) |

| ADJUSTMENTS | | OPTIONS |
|-----------------------------|--|---------------------------------------|
| Leakproof hex. socket screw | | Tamper resistant cap 11.04.23.003 |
| Handknob and locknut | | |

| VS-30 TECHNICAL DATA |
|---|
| See table "Z", for other details see data sheet RE 18318-23 |

[mm (inches)]

VEI-8A Solenoid cartridge valve (code OD.15.K.18...)

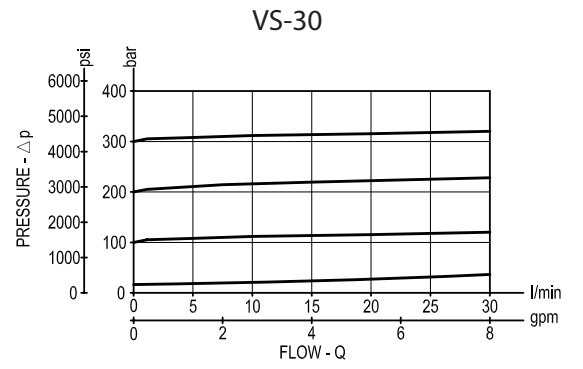
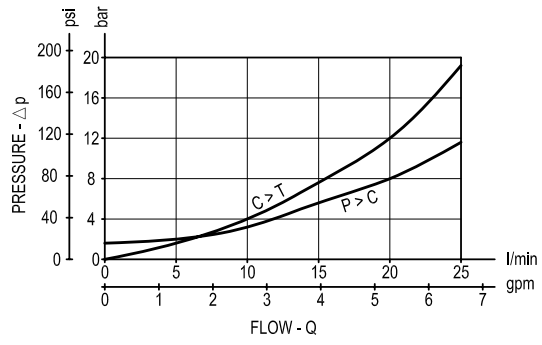


[mm (inches)]

| W | MANUAL OVERRIDE OPTIONS | |
|----|-------------------------|----------------------|
| | K = 51 | K = 52 |
| 1A | / | No override |
| 1B | / | Push style |
| 1C | / | Push and twist style |
| 3A | No override | / |
| 3D | Knob style | / |

| VEI-8A TECHNICAL DATA | | |
|--|--|-------------------------------|
| Internal leakage: | max. 1cm ³ /min | (0.06 inch ³ /min) |
| Filtration: | 25 µm nominal or better | |
| Minimum voltage required: | 90% of nominal value | |
| Coil: | S8-356 (must be ordered separately) (see data sheet RE 18325-90) | |
| For other details see cartridge data sheet | | |

Performance graphs



Ordering code

| OL | | K | Y | Z | W | 00 |
|--|-----------|---|---|--|---|----|
| Solenoid operated valves standard integrated circuits for single-acting cylinder | | | | Manual override options (see table on page 2) | | |
| Hydraulic schemes (see page 1) | | | | VS-30 setting (see table on page 2) | | |
| Port sizes | P - T - C | | | | | |
| = 09 | G 1/4 | | | | | |
| = 02 | G 3/8 | | | | | |
| = 03 | G 1/2 | | | | | |

Preferred types (readily available)

| Type | Material number | Type | Material number |
|----------------|-----------------|----------------|-----------------|
| OL5109043A0000 | R934002639 | OL5202071A0000 | R934002640 |
| OL5109073A0000 | R934003305 | OL5202101A0000 | R934002641 |
| OL5109103A0000 | R934003306 | OL5203071A0000 | R934002642 |
| OL5102043A0000 | R934002611 | OL5203071B0000 | R934002643 |
| OL5102073A0000 | R934002612 | | |
| OL5102073D0000 | R934003793 | | |
| OL5102083A0000 | R934000442 | | |
| OL5102103A0000 | R934000505 | | |
| OL5103043A0000 | R934002619 | | |
| OL5103073A0000 | R934002620 | | |
| OL5103073B0000 | R934002623 | | |
| OL5103073D0000 | R934002625 | | |
| OL5103103A0000 | R934002627 | | |
| OL5103103B0000 | R934002628 | | |
| OL5103103D0000 | R934003304 | | |

Further types available by request