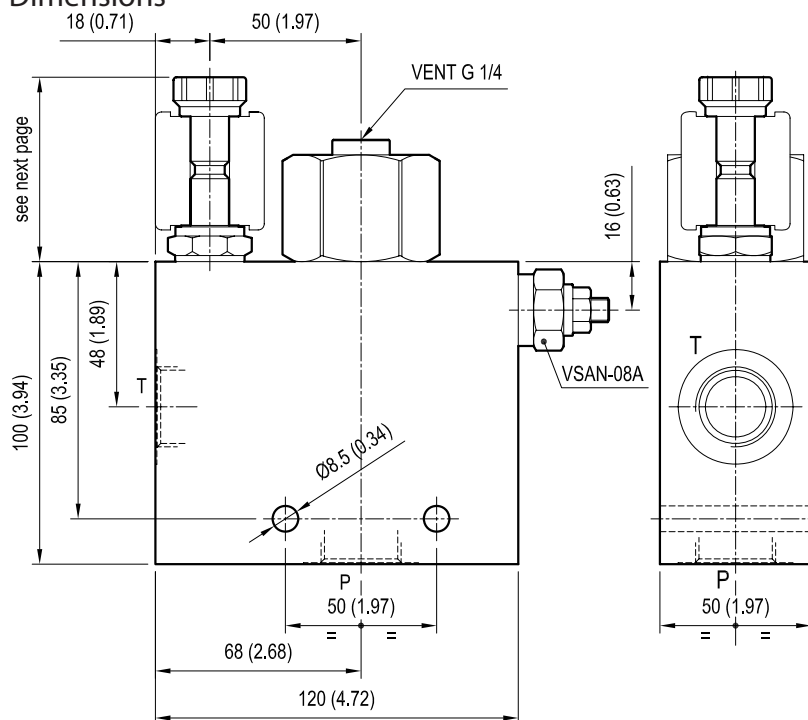


Standard integrated circuits solenoid operated ventable relief valve

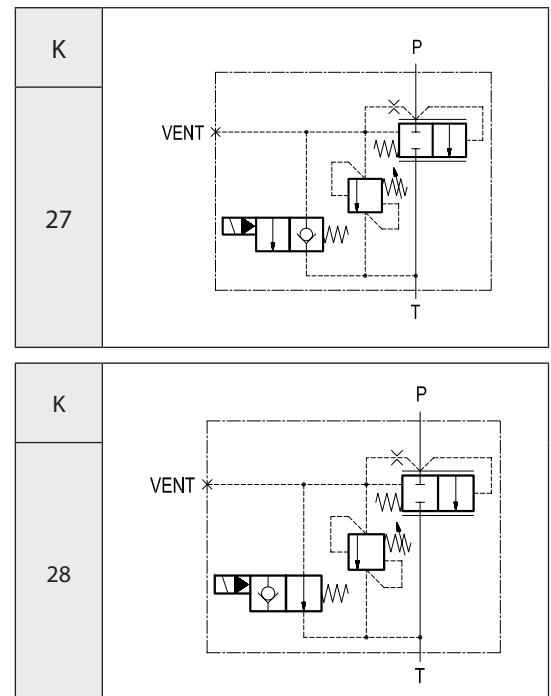
VSP-19-VEI8A

OL - K - Y - Z - W - 00

Dimensions



[mm (inches)]



Technical data

Max flow: up to 200 l/min (53 gpm)

Max operating pressure: 210 bar (3000 psi)

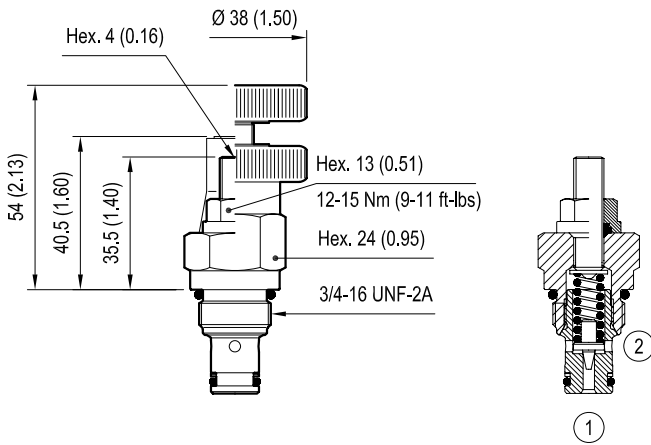
Standard manifolds in high strength aluminium.

For working pressure up to 350 bar (5000 psi) and for fatigue applications with any working pressure, steel manifolds are available upon request.

Weight: 1.3 kg (2.9 lbs)

These integrated circuit contains one relief valve type VSAN-08A operating from P to T and one solenoid valve type VEI-8A (see next page).

VSAN-08A Cartridge valve (code 04.11.48.X.56.Z)



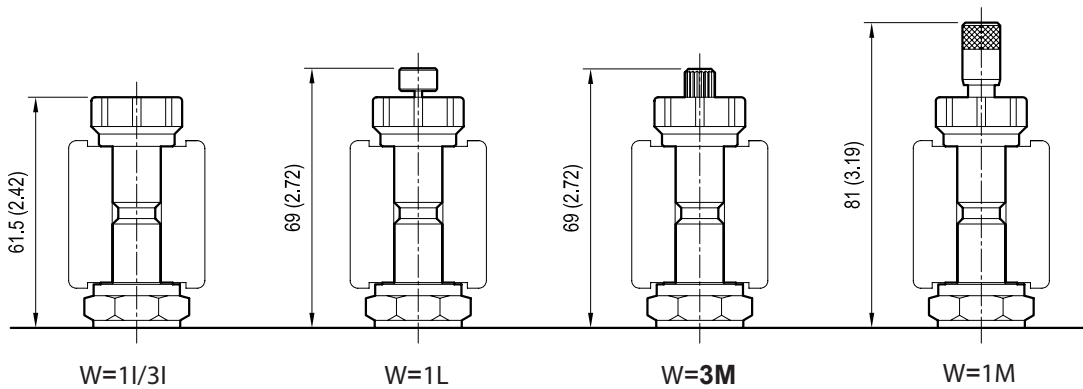
[mm (inches)]

Z		VSAN-08A SETTING		
		Adj. pressure range bar (psi)	Press. increase bar/turn (psi/turn)	Std. setting bar (psi) (Q=5 l/min)
	01	35-140 (500-2000)	48 (696)	100 (1450)
	04	105-210 (1500-3000)	88 (1276)	200 (2900)
	07	140-420 (2000-6000)	140 (2030)	350 (5000)
	08	35-350 (500-5000)	68 (986)	350 (5000)

ADJUSTMENTS		OPTIONS
Leakproof hex. socket screw		 Ordering code 11.04.23.002
Handknob and locknut		

VSAN-08A TECHNICAL DATA
See table "Z", for other details see data sheet RE 18318-01

VEI-8A Solenoid cartridge valve (code OD.15.K.18...)

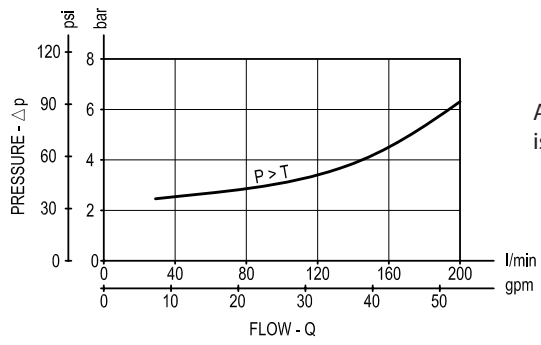


[mm (inches)]

W	MANUAL OVERRIDE OPTIONS	
	K = 27	K = 28
1I	/	No override
1L	/	Push style
1M	/	Push and twist style
3I	No override	/
3M	Knob style	/

VEI-8A TECHNICAL DATA		
Internal leakage:	100 cm ³ /min	(0.06 inch ³ /min)
Filtration:	25 µm nominal or better	
Minimum voltage required:	90% of nominal value	
Coil:	S8-356 (must be ordered separately) (see data sheet RE 18325-90)	
For other details see cartridge data sheet		

Performance graph



A pressure of approximately 2 bar (29 psi) is required to open the main poppet.

