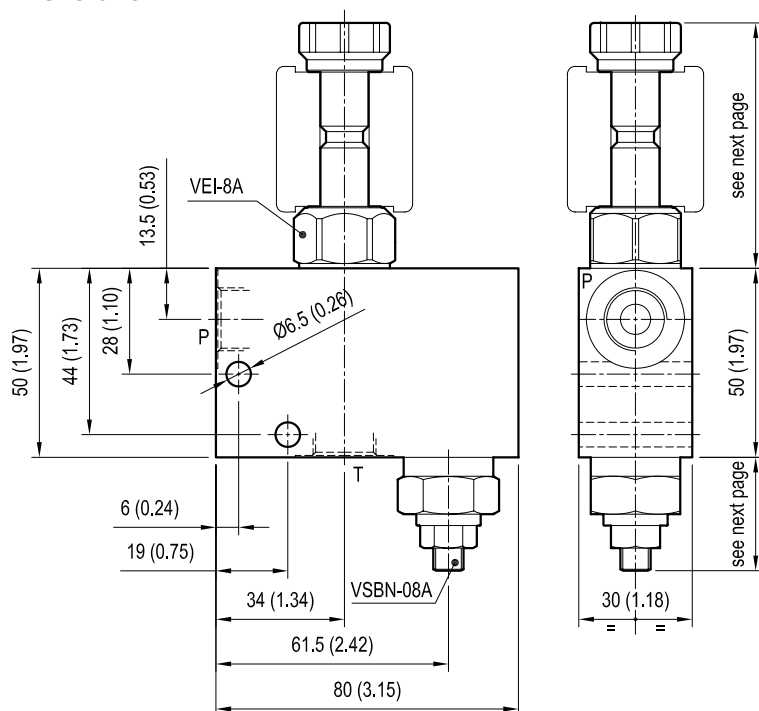


Standard integrated circuits relief valve with solenoid by-pass

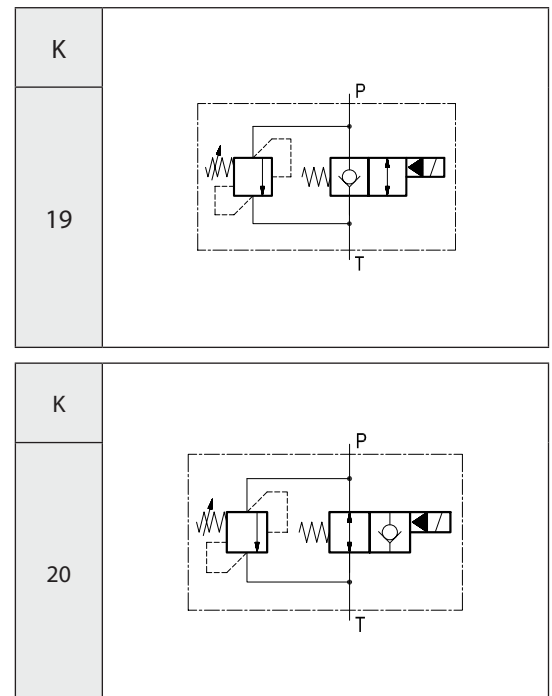
VEI8A-VSBN-08A

OL - K - Y - Z - W - 00

Dimensions



[mm (inches)]



Technical data

Max flow: up to 20 l/min (5 gpm)

Max operating pressure: 210 bar (3000 psi)

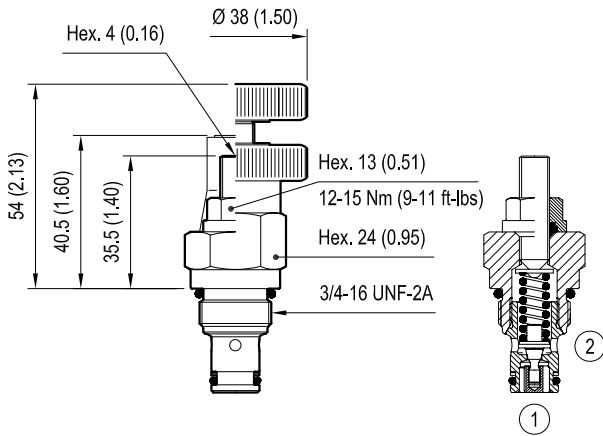
Standard manifolds in high strength aluminium.

For working pressure up to 350 bar (5000 psi) and for fatigue applications with any working pressure, steel manifolds are available upon request.

Weight: 0.5 kg (1.1 lbs)

These integrated circuit contains one relief valve type VSBN-08A operating from P to T and one solenoid valve type VEI-8A (see next page).

VSBN-08A Cartridge valve (code 04.11.49.X.56.Z)



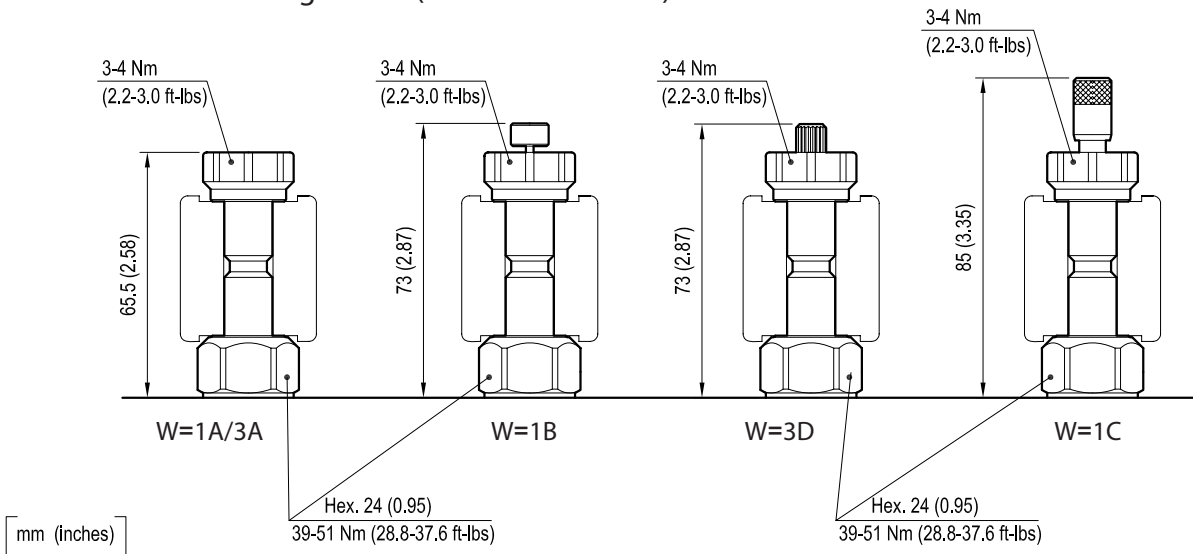
Z		VSBN-08A SETTING		
		Adj. pressure range bar (psi)	Press. increase bar/turn (psi/turn)	Std. setting bar (psi) (Q=5 l/min)
	04	35-140 (500-2000)	50 (725)	100 (1450)
	07	105-210 (1500-3000)	79 (1145)	200 (2900)
	10	175-350 (2500-5000)	170 (2465)	350 (5000)
	08	35-350 (500-5000)	72 (1044)	200 (2900)

ADJUSTMENTS		OPTIONS
Leakproof hex. socket screw		 Ordering code 11.04.23.002
Handknob and locknut		

VSBN-08A TECHNICAL DATA
See table "Z", for other details see data sheet RE 18318-04

mm (inches)

VEI-8A Solenoid cartridge valve (code OD.15.K.18...)

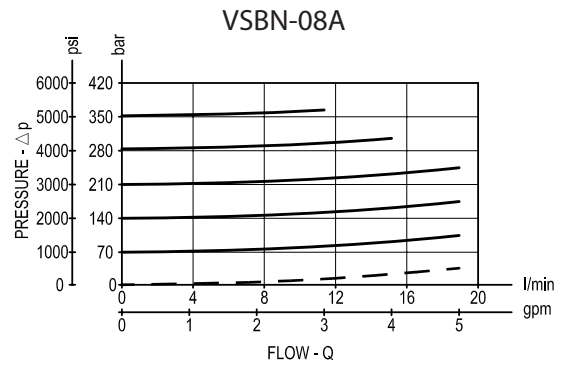
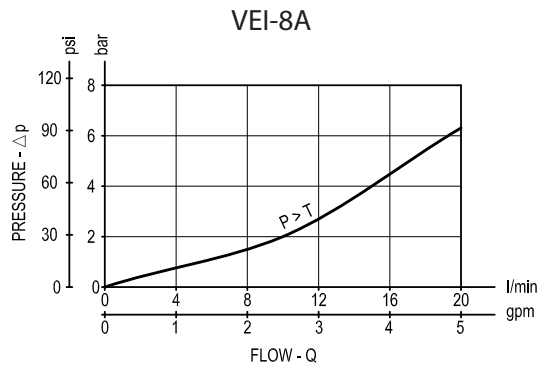


mm (inches)

W	MANUAL OVERRIDE OPTIONS	
	K = 19	K = 20
1A	/	No override
1B	/	Push style
1C	/	Push and twist style
3A	No override	/
3D	Knob style	/

VEI-8A TECHNICAL DATA		
Internal leakage:	max. 1cm ³ /min	(0.06 inch ³ /min)
Filtration:	25 µm nominal or better	
Minimum voltage required:	90% of nominal value	
Coil:	S8-356 (must be ordered separately) (see data sheet RE 18325-90)	
For other details see cartridge data sheet		

Performance graphs



Ordering code

OL		K	Y	Z	W	00
Solenoid operated valves standard integrated circuits relief valve with solenoid by-pass						
Hydraulic schemes (see page 1)						Manual override options (see table on page 2)
Port sizes	P - T					
= 09	G 1/4					
= 02	G 3/8					VSBN-80A setting (see table on page 2)

Preferred types (readily available)

Type	Material number	Type	Material number
OL1909043A0000	R934002544	OL2002071C0000	R934002550
OL1909073A0000	R934002545	OL2002101A0000	R934002551
OL1909103A0000	R934002546		
OL1902043A0000	R934002529		
OL1902073A0000	R934002530		
OL1902073D0000	R934003301		
OL1902103A0000	R934002532		
OL2009041A0000	R934002560		
OL2009041B0000	R934002561		
OL2009071A0000	R934002563		
OL2009071C0000	R934002565		
OL2009101A0000	R934002567		
OL2002041A0000	R934002547		
OL2002041B0000	R934002548		
OL2002071A0000	R934002549		

Further types available by request