

Solenoid operated valves 2-way 2-positions normally closed
Special cavity
Cartridge style in emergency manifold

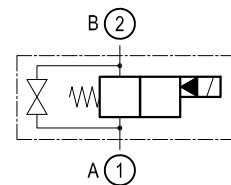
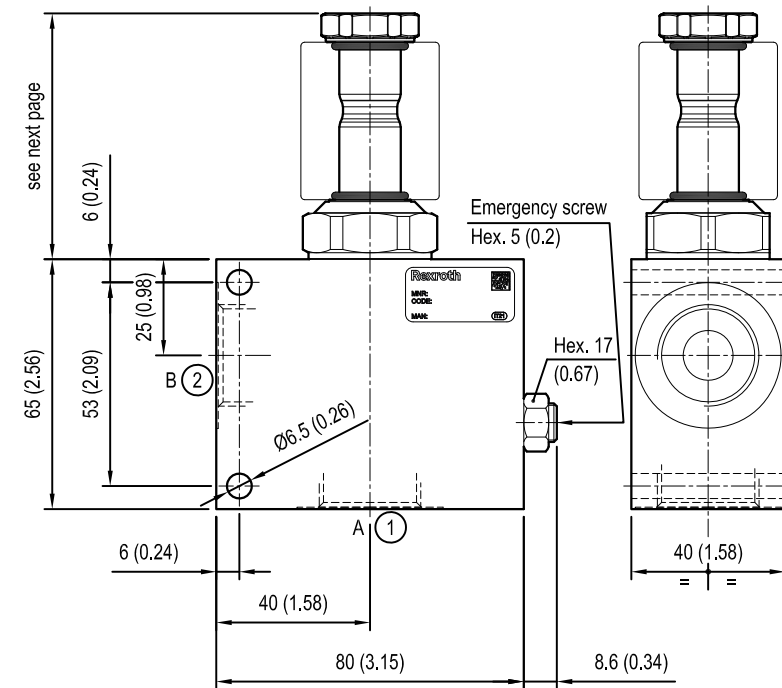
RE 18332-15

Edition: 04.2023

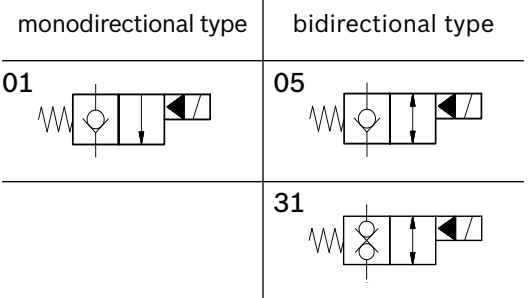
Replaces: 06.2021

VEI-CE-16-017-NC

OE.15 - K - 17 - X - Y - Z - W



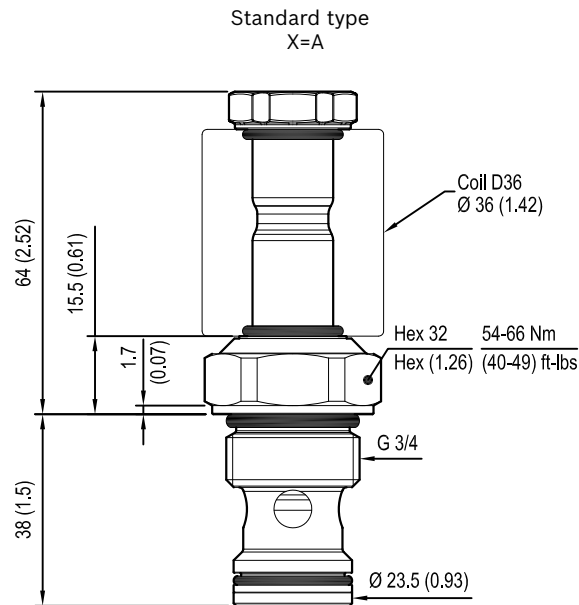
Cartridge schemes (K)



[mm (inches)]

Technical data

Max. flow	up to 70 l/min (19 gpm)
Max. operating pressure for steel body	350 bar (5000 psi)
Max operating pressure for aluminium body	210 bar (3000 psi)
Ambient temperature range	-30 to 90 °C (-22 to 194 °F)
Fluids: Mineral-based or synthetics with lubricating properties at viscosities of 20 to 380 mm ² /s (cSt)	
MTTFd	150 years see RE 18350-51
To order manifold only, see data sheet RE 18325-85	
Other technical data	See data sheet 18350-50



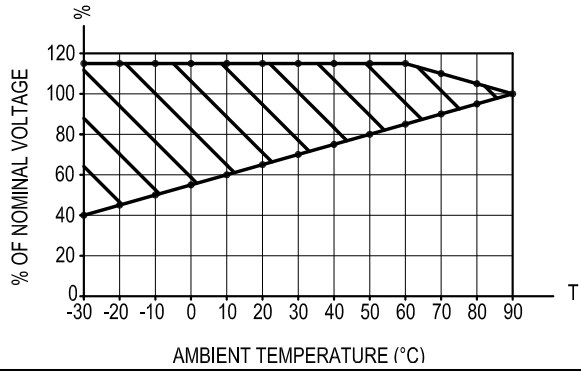
Cartridge technical data

General	
Installation orientation	Unrestricted
Ambient temperature range	-30 to 90 °C (-22 to 194 °F)
Hydraulic	
Max. operating pressure	350 bar (5000 psi)
Flow range	2 - 70 l/min (0.53 - 18 gpm)
Max. internal leakage	20 drops/min.
Switching time	Opening ≤ 50 ms
	Closing ≤ 100 ms
Fluid temperature range	-20 to 80 °C (-4 to 176 °F)
Fluids: Mineral-based or synthetics with lubricating properties at viscosities of 20 to 380 mm ² /s (cSt)	
Installation torque	54 -66 Nm (40 - 49 ft-lbs)
Recommended degree of fluid contamination	Nominal value max. 10 µm (NAS 8) ISO 4406 19/17/14
MTTFd	150 years see RE 18350-51
Special cavity	017-E see data sheet 18325-75
Other technical data	See data sheet 18350-50

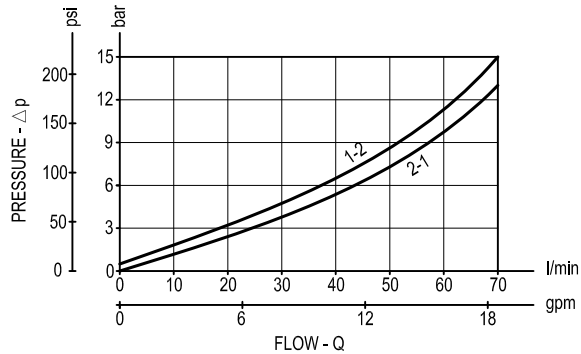
Electrical	
Type of voltage	DC voltage
Coil type	D36
Supply voltage	See data sheet 18325-90
Voltage tolerance against ambient temperature	See characteristic curve
Power consumption	20 W
Type of protection	See data sheet 18325-90
Note: Coils must be ordered separately	

Characteristic curves

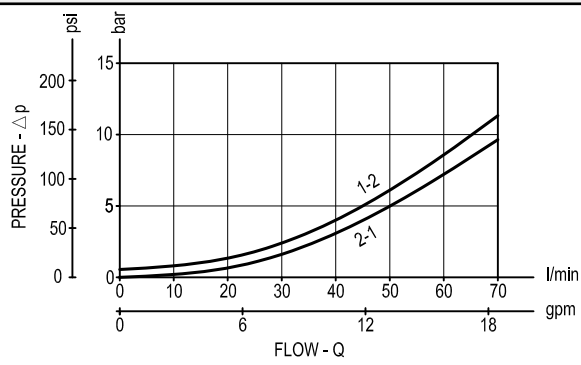
All Versions - Admissible supply voltage Vs. Ambient temperature at 100% duty cycle



Version 01,05



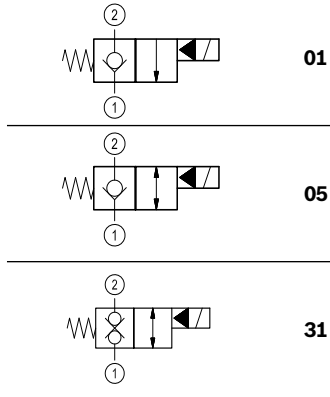
Version 31



Ordering code

OE.15	K	17	X	Y	Z	W
--------------	----------	-----------	----------	----------	----------	----------

Solenoid operated valves
2-way 2-positions normally closed
Special cavity
Cartridge style
in emergency manifold



Manifold material

00 Aluminium

S0 Steel

Manifold port sizes

03 G 1/2

04 G 3/4

Cartridge seals and accessories options

0 = With buna seal

V = With Viton seal

Cartridge options

A = Standard

Special cavity 017-E

Bosch Rexroth Oil Control S.p.A.

Via Leonardo da Vinci 5
P.O. Box no. 5
41015 Nonantola – Modena, Italy
Tel. +39 059 887 611
Fax +39 059 547 848
compact-hydraulics-hic@boschrexroth.com
www.boschrexroth.com/compacthydraulics

© This document, as well as the data, specifications and other information set forth in it, are the exclusive property of Bosch Rexroth Oil Control S.p.a.. It may not be reproduced or given to third parties without its consent. The data specified above only serve to describe the product. No statements concerning a certain condition or suitability for a certain application can be derived from our information. The information given does not release the user from the obligation of own judgment and verification. It must be remembered that our products are subject to a natural process of wear and aging. Subject to change.