

Solenoid operated valves pilot operated poppet type
2-way normally closed
Special cavity, 004

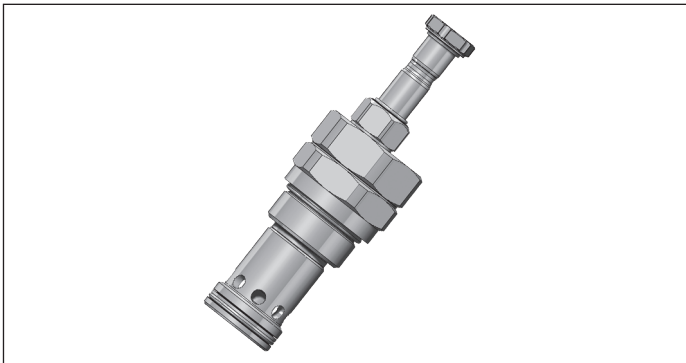
VEI-16-NC_004

OD.15.03.04 - Y - Z

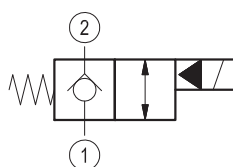
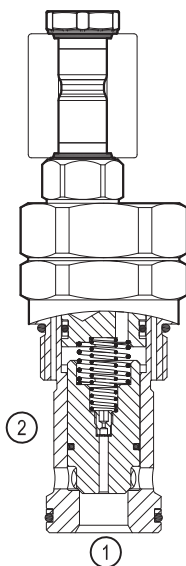
RE 18323-30

Edition: 05.2020

Replaces: 06.2019



PATENT PENDING



Technical data

New VEI-16 family incorporates a new solenoid concept providing excellent performance and enables cartridges to work in severe environment. Cartridges also incorporate advanced design of hydraulic parts providing excellent hydraulic performance.

Technical data

General	
Weight	1.13 kg (2.5 lbs)
Installation orientation	Optional
Storage ambient temperature range	-40 to 100 °C (-40 to 212 °F)
Operating ambient temperature range	-30 to 90 °C (-22 to 194 °F)
Salt spray test to DIN EN ISO 9227:2017-07	500h
Hydraulic	
Max. operating pressure	350 bar (5000 psi)
Max. proof pressure	420 bar (6000 psi)
Rated flow	260 l/min (69 gpm)
Fatigue cycle life	1 million cycles at 350 bar
Max. internal leakage	20 drops/min.
Fluid temperature range	-20 to 80 °C (-4 to 176 °F)
Fluids: Mineral-based or synthetics with lubricating properties at viscosities of 20 to 380 mm ² /s (cSt)	
Installation torque	110 - 130 Nm (81 - 96 ft-lbs)
Recommended degree of fluid contamination	Nominal value max. 25 µm (NAS 8) ISO 4406 19/17/14
MTTFD	150 years see RE 18350-51
Special cavity	004 see 18325-75
Lines bodies and standard assemblies	Please refer to section "Hydraulic integrated circuit" or consult factory
Seal kit	code material no. RG0004020520100 R930001696
Seal kit coil and standard cap	code material no. RG02Z0010000100 R930067869
Other technical data	See data sheet 18350-50
Electrical	
Type of voltage	DC voltage
Coil type	D36 see 18325-90
Supply voltage	See data sheet 18325-90
Voltage tolerance against ambient temperature	See characteristic curve
Power consumption	20 W
Duty cycle coil	See characteristic curves %
Type of protection	See data sheet 18325-90

Note: Coils must be ordered separately

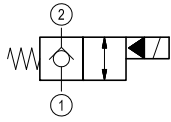
Ordering code

OD.15	03	04	Y	Z	0000	*
--------------	-----------	-----------	----------	----------	-------------	----------

Solenoid operated valves
pilot operated poppet type
2-way normally closed

Series O/A to L
unchanged performances and dimensions

monodirectional type



03

0 = With buna seal
V = With Viton seal

A = Standard
D = Knob style manual override

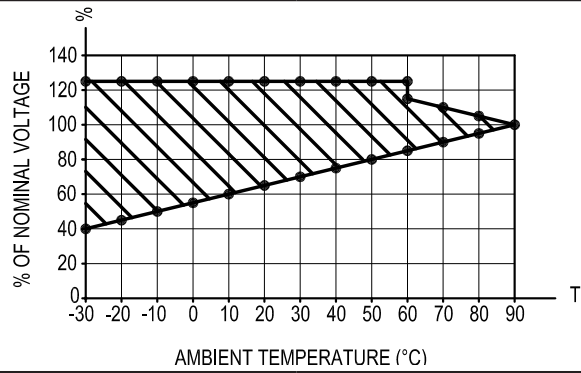
Special cavity: 004

Type	Material number
OD150304A000000	R930064807
OD150304D000000	R930064862

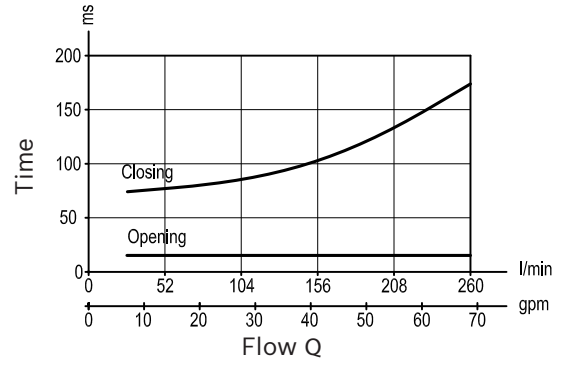
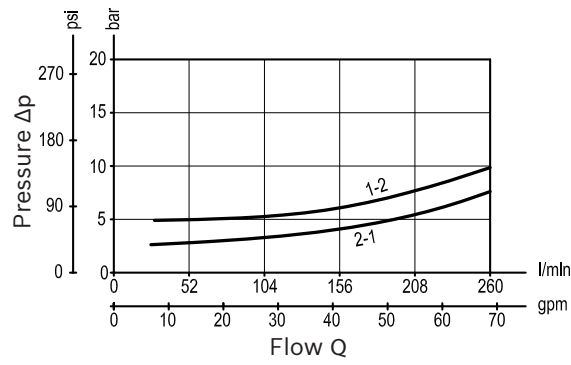
Type	Material number

Characteristic curves

All Versions - Admissible supply voltage Vs. Ambient temperature at 100% duty cycle

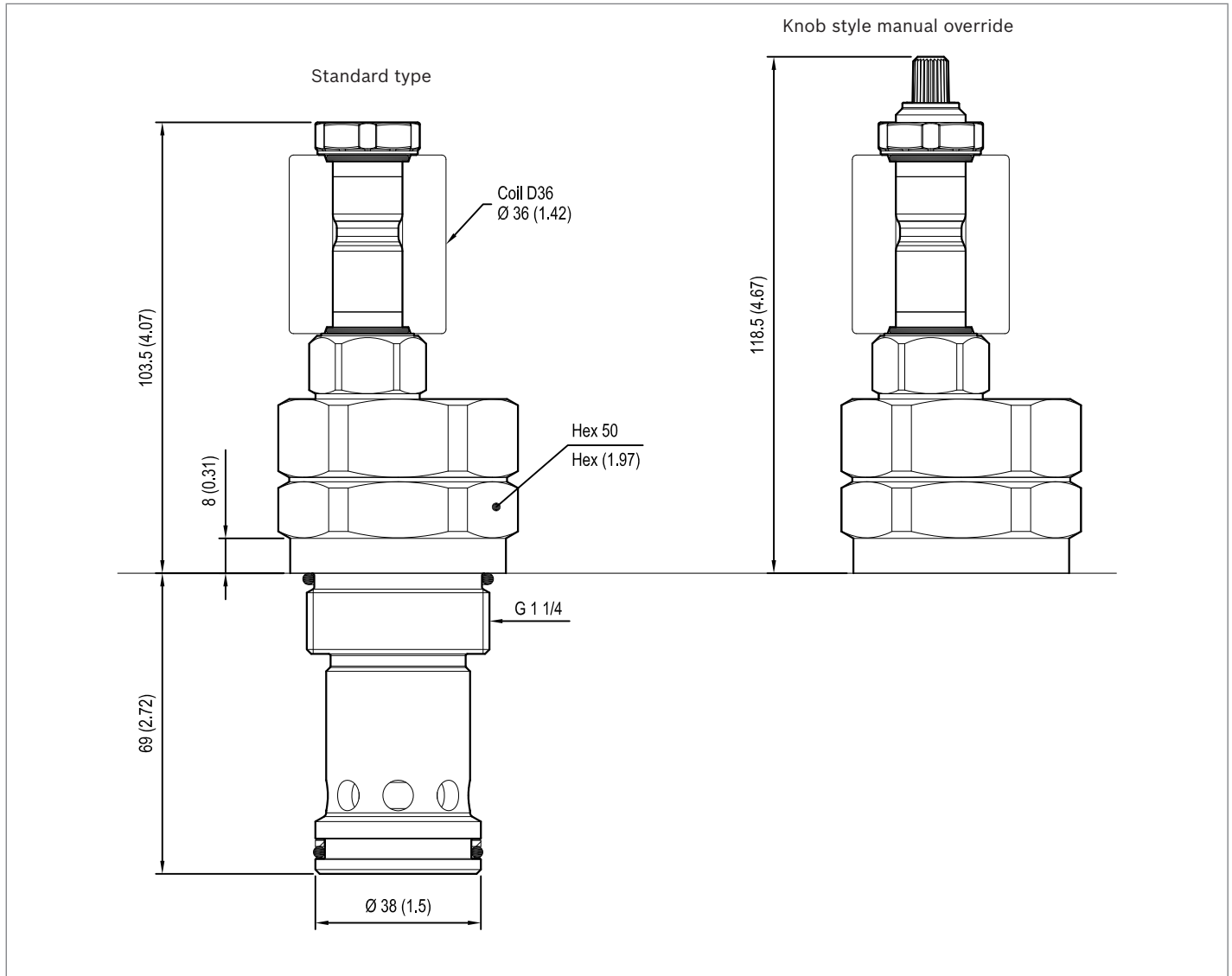


Version 03



Dimensions

Solenoid operated valves, poppet 2-way normally closed



Bosch Rexroth Oil Control S.p.A.

Via Leonardo da Vinci 5
P.O. Box no. 5
41015 Nonantola – Modena, Italy
Tel. +39 059 887 611
Fax +39 059 547 848
compact-hydraulics-cv@boschrexroth.com
www.boschrexroth.com/compacthydraulics

© This document, as well as the data, specifications and other information set forth in it, are the exclusive property of Bosch Rexroth Oil Control S.p.a.. It may not be reproduced or given to third parties without its consent. The data specified above only serve to describe the product. No statements concerning a certain condition or suitability for a certain application can be derived from our information. The information given does not release the user from the obligation of own judgment and verification. It must be remembered that our products are subject to a natural process of wear and aging. Subject to change.