

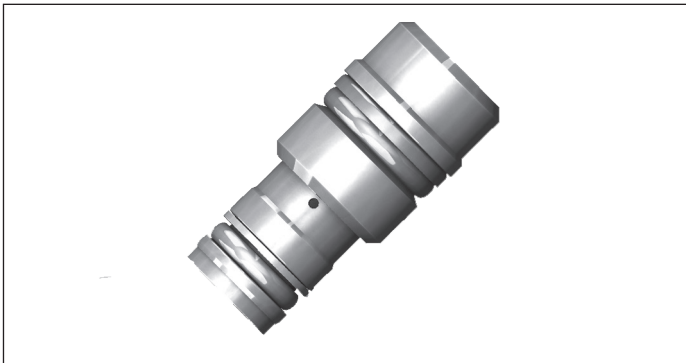
Flow control, 2-way pressure compensated,
Fixed setting
Special cavity, R/MH2FR04K

MH2FR

RE 18321-31

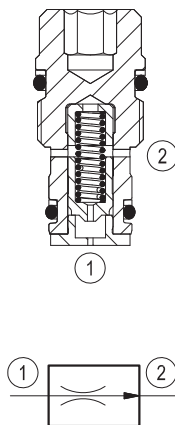
Edition: 06.2017

Replaces: 04.2016



Description

The valve type MH2FR is a 2-way flow control valve for block design installation. It is used for pressure and temperature independent flow stabilization. If the direction of flow runs from 1 to 2 through the valve, the pressure in channel 1 exerts force on the pressure compensator. The pressure compensator moves to the control position until the forces are balanced. If the pressure in channel 1 or 2 changes, the pressure compensator keeps readjusting and thereby maintains a constant pressure drop and the unchanging cross-section of the throttling point provide for a constant flow. In the direction of flow from 2 to 1, the return flow runs freely via the throttling point.

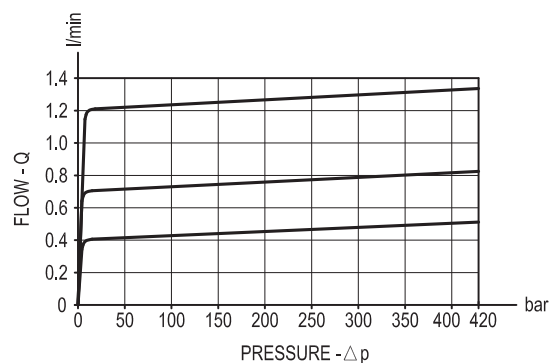


Technical data

General	
Weight	0.03 kg (0.07 lbs)
Installation position	Any
Ambient temperature range	-30 to 100 °C (-22 to 212 °F) NBR -15 to 100 °C (5 to 212 °F) FKM
Hydraulic	
Max. operating pressure	420 bar (6090 psi)
Rated flow	0.4 - 0.7 - 1.2 l/min.
Fluid temperature range	-20 to 80 °C (-4 to 176 °F)
Fluids: Mineral-based or synthetics with lubricating properties at viscosities of 10 to 800 mm ² /s (cSt)	
Installation torque	20 - 25 Nm (15 - 19 ft-lbs)
Filtration	Class 20/18/15 ISO 4406
Special cavity	R/MH2FR04K

Note: The valves are not provided with any surface protection.

Characteristic curve



At the beginning of control (8 bar), the stated flow is present with a tolerance of +35% / -5%

Ordering code

MH2FR	04	K	A	2X/		V	*
--------------	-----------	----------	----------	------------	--	----------	----------

Flow control, 2-way pressure compensated
Fixed setting

For further information, see the
plain text

Component series 20 to 29
Unchanged installation and connection dimensions

0.4 l/min.	0.4
0.7 l/min.	0.7
1.2 l/min.	1.2

V =

Seal material

FKM seals
(other seals on request)
Attention!
Observe compatibility of
seals with the hydraulic
fluid used!

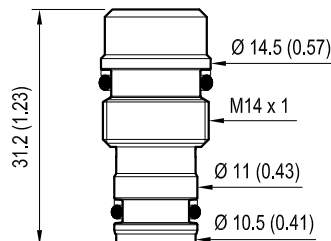
Preferred types

Type	Material number
MH2FR 04 KA2X/0.4V	R900753499
MH2FR 04 KA2X/0.7V	R901047887
MH2FR 04 KA2X/1.2V	R901137792

Type	Material number

Dimensions

▼ **Flow control, 2-way pressure compensated Fixed setting**



Bosch Rexroth Oil Control S.p.A.

Via Leonardo da Vinci 5
P.O. Box no. 5
41015 Nonantola – Modena, Italy
Tel. +39 059 887 611
Fax +39 059 547 848
compact-hydraulics-cv@boschrexroth.com
www.boschrexroth.com/compacthydraulics

© This document, as well as the data, specifications and other information set forth in it, are the exclusive property of Bosch Rexroth Oil Control S.p.a.. It may not be reproduced or given to third parties without its consent. The data specified above only serve to describe the product. No statements concerning a certain condition or suitability for a certain application can be derived from our information. The information given does not release the user from the obligation of own judgment and verification. It must be remembered that our products are subject to a natural process of wear and aging. Subject to change.