

Solenoid operated valves pilot operated poppet type
2-way normally closed - Industrial application
Special cavity, 040-E

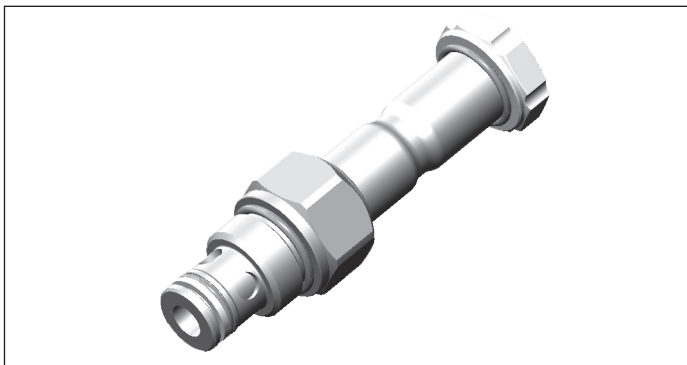
VEI-16-08F-NC_I

OD.15 - X - 40 - Y - Z - 000I

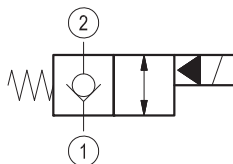
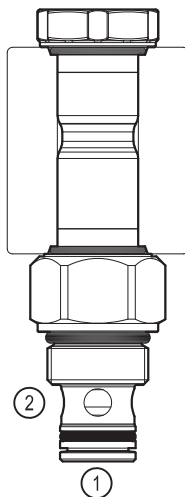
RE 18323-52

Edition: 07.2021

Replaces: 01.2020



PATENT PENDING



Technical data

New VEI-16 family incorporates a new solenoid concept providing excellent performance and enables cartridges to work in severe environment. Cartridges also incorporates advanced design of hydraulic parts providing excellent hydraulic performance.

Technical data

General		
Weight		0.18 kg (0.39 lbs)
Installation orientation		Unrestricted
Ambient temperature range		-30 to 90 °C (-22 to 194 °F)
Hydraulic		
Max. operating pressure		350 bar (5000 psi)
Flow range		0.5 - 40 l/min (0.1 - 11 gpm)
Fatigue cycle life		*10 million cycles at 280 bar 2 million cycles at 350 bar
Max. internal leakage:		5 drops/min. for X= 06
Switching time		Opening ≤ 50 ms Closing ≤ 100 ms
Fluid temperature range		-20 to 80 °C (-4 to 176 °F)
Fluids: Mineral-based or synthetics with lubricating properties at viscosities of 20 to 380 mm ² /s (cSt)		
Installation torque		39 - 51 Nm (29 - 38 ft-lbs)
Recommended degree of fluid contamination		Nominal value max. 10 µm (NAS 8) ISO 4406 19/17/14
MTTFD		150 years see RE 18350-51
Special cavity		040-E
Seal kit for X=05	code	RG08A2010520100
	material no.	R901101437
Seal kit coil and standard cap	code	RG02Z00100000100
	material no.	R930067869
Seal kit coil and protective cap only for Y=D	code	RG03Z00100000100
	material no.	R930067870
Other technical data		See data sheet 18350-50

Electrical

Type of voltage		DC voltage
Coil type		D36
Supply voltage		See data sheet 18325-90
Power consumption		20 W
Type of protection		See data sheet 18325-90

Note: Coils must be ordered separately

Valve function *:

- 1) after 10 mio cycles valve function guaranteed at nominal voltage.
- 2) max. internal leakage 70 ml/min. (0.0185 gpm/min).

Ordering code

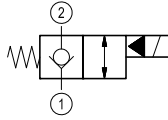
OD.15	X	40	Y	Z	000I	*
--------------	----------	-----------	----------	----------	-------------	----------

Solenoid operated valves
pilot operated poppet type
2-way normally closed -
Industrial application

Series O/A to L
unchanged performances and dimensions

I = Industrial application

bidirectional type



05

0 = With buna seal
8 = With buna seal and extra spring

A = Standard
D = Knob style manual override

Special cavity: 040-E

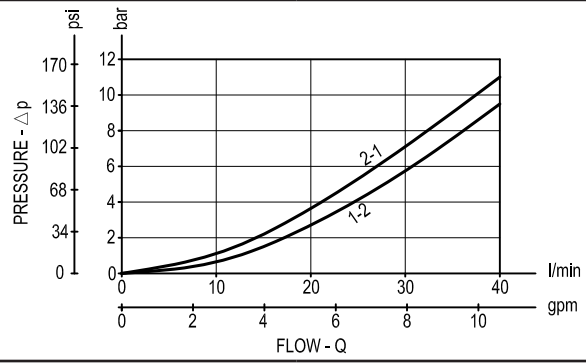
Preferred types

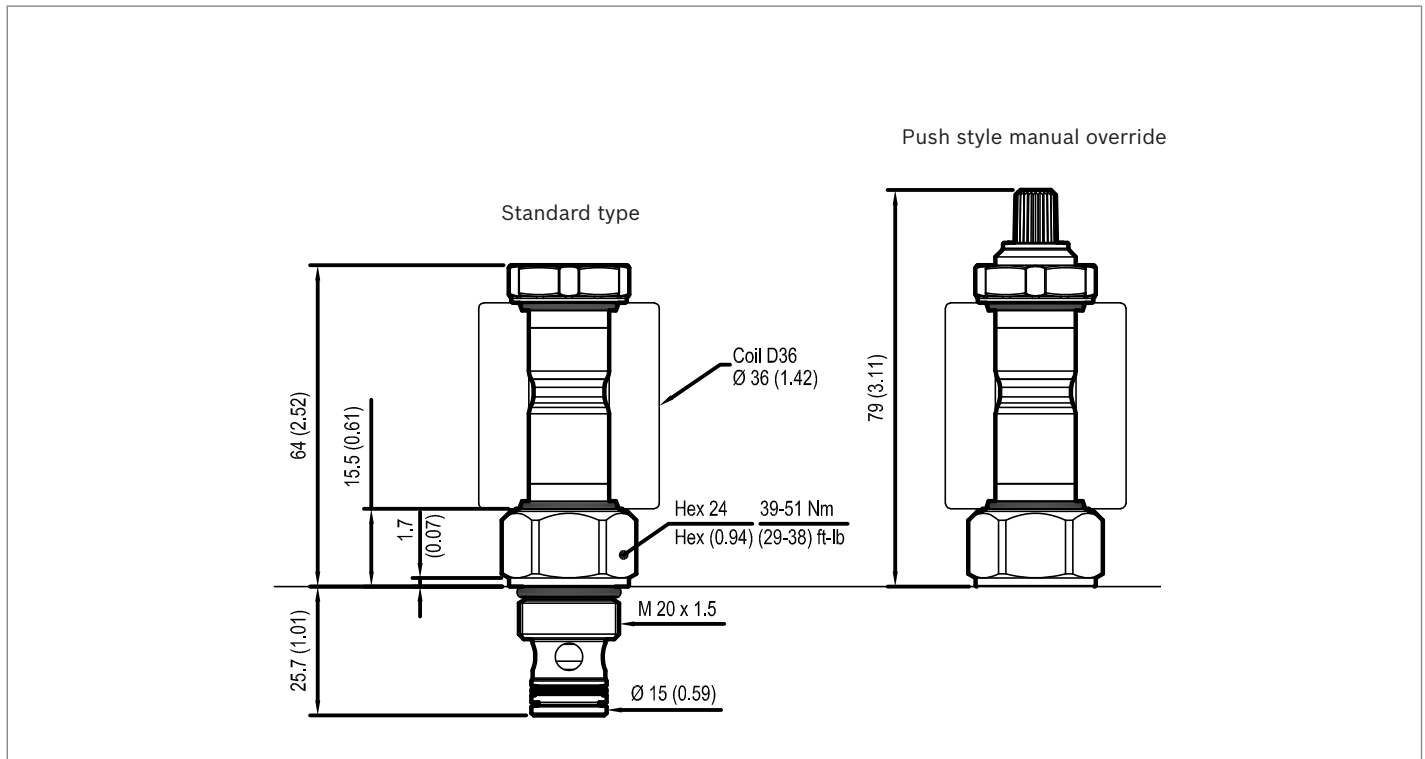
Type	Material number
OD150540A0000I0	R930076537
OD150540A8000I0	R930076538
OD150540D0000I0	R930076539

Type	Material number

Characteristic curves

Version 05



Dimensions**Solenoid operated valves, poppet 2-way
normally closed - Industrial application****Bosch Rexroth Oil Control S.p.A.**

Via Leonardo da Vinci 5
P.O. Box no. 5
41015 Nonantola – Modena, Italy
Tel. +39 059 887 611
Fax +39 059 547 848
compact-hydraulics-cv@boschrexroth.com
www.boschrexroth.com/compacthydraulics

© This document, as well as the data, specifications and other information set forth in it, are the exclusive property of Bosch Rexroth Oil Control S.p.a.. It may not be reproduced or given to third parties without its consent. The data specified above only serve to describe the product. No statements concerning a certain condition or suitability for a certain application can be derived from our information. The information given does not release the user from the obligation of own judgment and verification. It must be remembered that our products are subject to a natural process of wear and aging. Subject to change.