

Solenoid operated valves pilot operated poppet type  
2-way normally closed  
Special cavity, 039-E

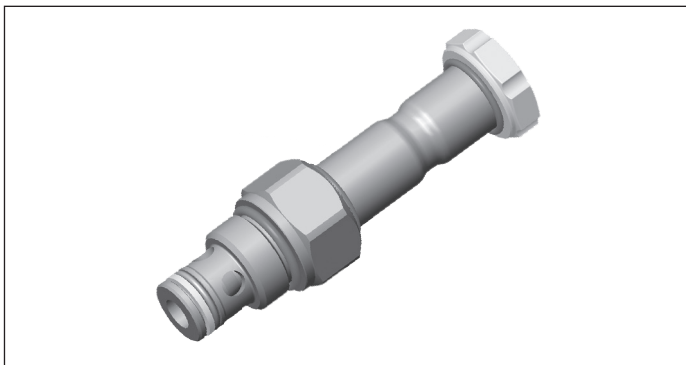
VEI-16-08F-NC

OD.15 - X - 39 - Y - Z

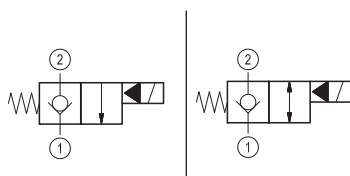
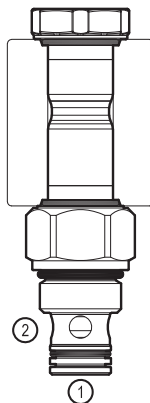
**RE 18323-42**

Edition: 08.2021

Replaces: 06.2019



**PATENT PENDING**



**Technical data**

New VEI-16 family incorporates a new solenoid concept providing excellent performance and enables cartridges to work in severe environment. Cartridges also incorporates advanced design of hydraulic parts providing excellent hydraulic performance.

**Technical data**

General	
Weight	0.15 kg (0.33 lbs)
Installation orientation	Unrestricted
Storage ambient temperature range	-40 to 100 °C (-40 to 212 °F)
Operating ambient temperature range	-30 to 90 °C (-22 to 194 °F)
Hydraulic	
Max. operating pressure	350 bar (5000 psi)
Flow range	0.5 - 40 l/min (0.1 - 11 gpm)
Fatigue cycle life	2 million cycles at 350 bar 150000 cycles at 420 bar
Max. internal leakage:	5 drops/min. for X= 01,05
Switching time	Opening ≤ 50 ms
	Closing ≤ 100 ms
Fluid temperature range	-20 to 80 °C (-4 to 176 °F)
Fluids: Mineral-based or synthetics with lubricating properties at viscosities of 20 to 380 mm <sup>2</sup> /s (cSt)	
Installation torque	39 - 51 Nm (29 - 38 ft-lbs)
Recommended degree of fluid contamination	Nominal value max. 10 μm (NAS 8) ISO 4406 19/17/14
MTTFd	150 years see RE 18350-51
Special cavity	039-E
Seal kit for X=01,05	code RG39E201052010
	material no. R934003584
Seal kit coil and standard cap	code RG02Z0010000100
	material no. R930067869
Other technical data	See data sheet 18350-50
Electrical	
Type of voltage	DC voltage
Coil type	D36
Supply voltage	See data sheet 18325-90
Voltage tolerance against ambient temperature	See characteristic curve
Power consumption	20 W
Type of protection	See data sheet 18325-90

Note: Coils must be ordered separately

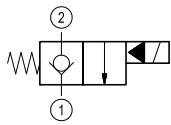
Ordering code

<b>OD.15</b>	<b>X</b>	<b>39</b>	<b>Y</b>	<b>Z</b>	<b>0000</b>	<b>*</b>
--------------	----------	-----------	----------	----------	-------------	----------

Solenoid operated valves  
pilot operated poppet type  
2-way normally closed

Series O/A to L  
unchanged performances and dimensions

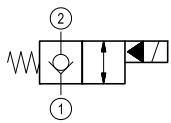
monodirectional type



01

0 = With buna seal  
8 = With buna seal and extra spring only for 05

bidirectional type



05

A = Standard

Special cavity: 039-E

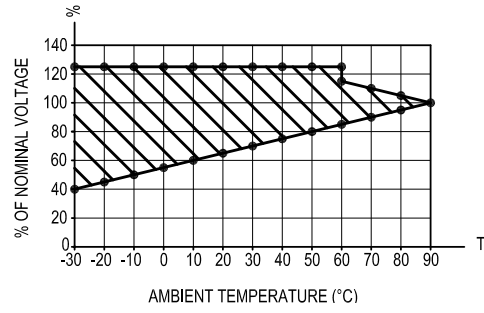
Preferred types

Type	Material number
OD150139A000000	R930058432
OD150139A800000	R930064451
OD150539A000000	R930058436

Type	Material number

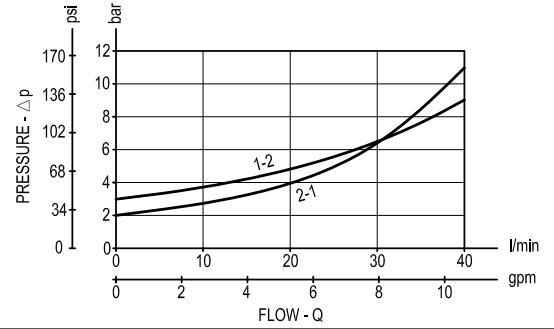
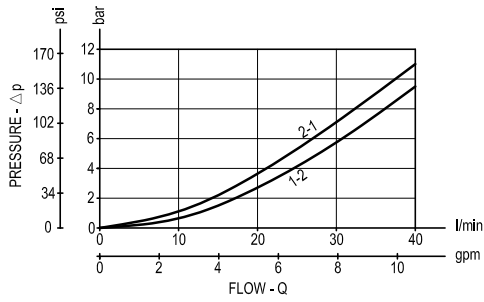
**Characteristic curves**

**All Versions - Admissible supply voltage Vs. Ambient temperature at 100% duty cycle**



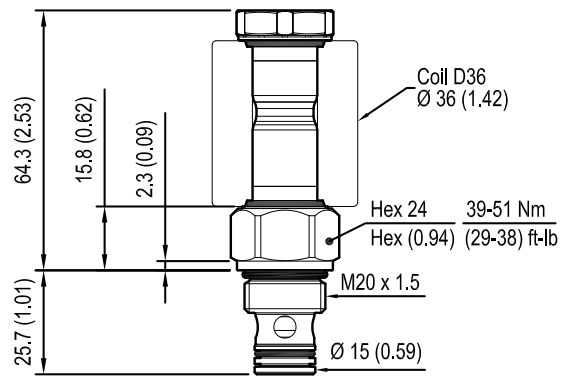
**Versions 01, 05**

**Version 05 with extra spring**



**Dimensions****Solenoid operated valves, poppet 2-way  
normally closed**

Standard type

**Bosch Rexroth Oil Control S.p.A.**

Via Leonardo da Vinci 5  
P.O. Box no. 5  
41015 Nonantola – Modena, Italy  
Tel. +39 059 887 611  
Fax +39 059 547 848  
compact-hydraulics-cv@boschrexroth.com  
www.boschrexroth.com/compacthydraulics

© This document, as well as the data, specifications and other information set forth in it, are the exclusive property of Bosch Rexroth Oil Control S.p.a.. It may not be reproduced or given to third parties without its consent. The data specified above only serve to describe the product. No statements concerning a certain condition or suitability for a certain application can be derived from our information. The information given does not release the user from the obligation of own judgment and verification. It must be remembered that our products are subject to a natural process of wear and aging. Subject to change.