

Solenoid operated valves pilot operated poppet type
2-way normally closed
Special cavity, Hydac 10120

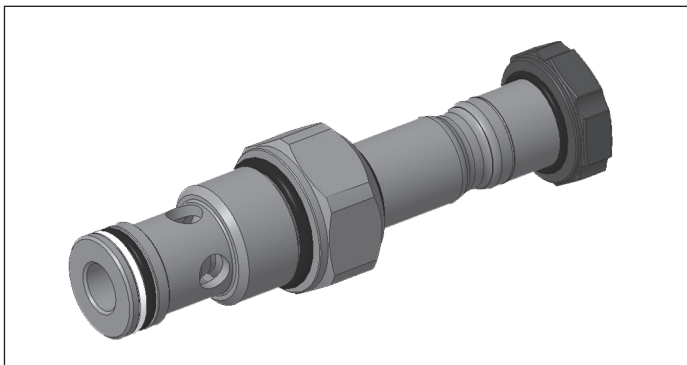
VEI-16-10F-NC

OD.15 - X - 32 - Y - Z

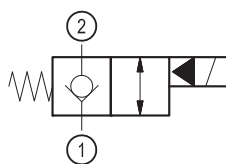
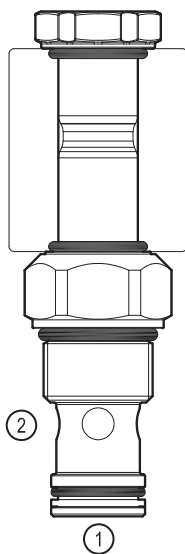
RE 18323-48

Edition: 04.2021

Replaces: 01.2020



PATENT PENDING



Technical data

New VEI-16 family incorporates a new solenoid concept providing excellent performance and enables cartridges to work in severe environment. Cartridges also incorporates advanced design of hydraulic parts providing excellent hydraulic performance.

Technical data

| General | |
|----------------------------------------------------------------------------------------------------------------------|----------------------------------------------------|
| Weight | 0.25 kg (0.55 lbs) |
| Installation orientation | Unrestricted |
| Storage ambient temperature range | -40 to 100 °C (-40 to 212 °F) |
| Operating ambient temperature range | -30 to 90 °C (-22 to 194 °F) |
| Hydraulic | |
| Max. operating pressure | 350 bar (5000 psi) |
| Flow range | 2 - 70 l/min (0.53 - 18 gpm) |
| Fatigue cycle life | 2 million cycles at 350 bar |
| Max. internal leakage | 5 drops/min. |
| Switching time | Opening ≤ 50 ms |
| | Closing ≤ 100 ms |
| Fluid temperature range | -20 to 80 °C (-4 to 176 °F) |
| Fluids: Mineral-based or synthetics with lubricating properties at viscosities of 20 to 380 mm ² /s (cSt) | |
| Installation torque | 44 - 56 Nm (33 - 41 ft-lbs) |
| Recommended degree of fluid contamination | Nominal value max. 10 µm (NAS 8) ISO 4406 19/17/14 |
| MTTFD | 150 years see RE 18350-51 |
| Special cavity | Hydac 10120 / R901352908 |
| Seal kit for X=05 | code RG10F2010520100 |
| | material no. R930077509 |
| Seal kit coil and standard cap | code RG02Z0010000100 |
| | material no. R930067869 |
| Seal kit coil and protective cap only for Y=D | code RG03Z0010000100 |
| | material no. R930067870 |
| Other technical data | See data sheet 18350-50 |
| Electrical | |
| Type of voltage | DC voltage |
| Coil type | D36 |
| Supply voltage | See data sheet 18325-90 |
| Voltage tolerance against ambient temperature | See characteristic curve |
| Power consumption | 20 W |
| Type of protection | See data sheet 18325-90 |
| Note: Coils must be ordered separately | |

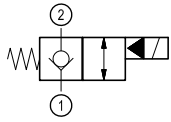
Ordering code

| | | | | | | |
|--------------|----------|-----------|----------|----------|-------------|----------|
| OD.15 | X | 32 | Y | Z | 0000 | * |
|--------------|----------|-----------|----------|----------|-------------|----------|

Solenoid operated valves
pilot operated poppet type
2-way normally closed

Series O/A to L
unchanged performances and dimensions

bidirectional type



05

0 = With buna seal
8 = With buna seal and extra spring only for **05**

A = Standard
D = Knob style manual override

Special cavity: Hydac 10120 / R901352908

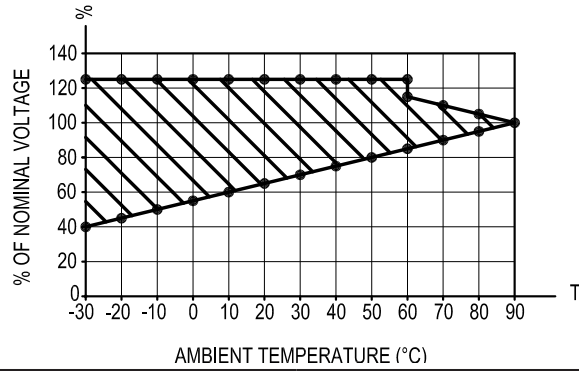
Preferred types

| Type | Material number |
|-----------------|-----------------|
| OD150532A000000 | R930076155 |
| OD150532A800000 | R930076156 |
| | |
| | |
| | |
| | |
| | |
| | |

| Type | Material number |
|------|-----------------|
| | |
| | |
| | |
| | |
| | |
| | |
| | |
| | |

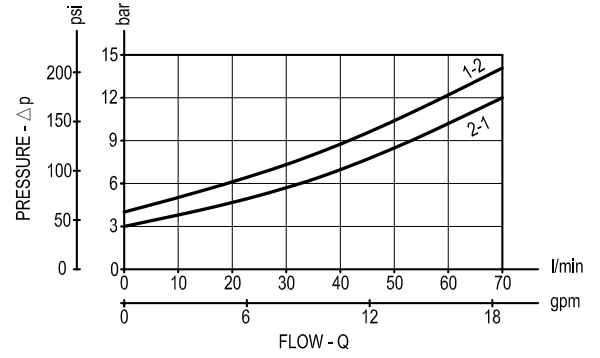
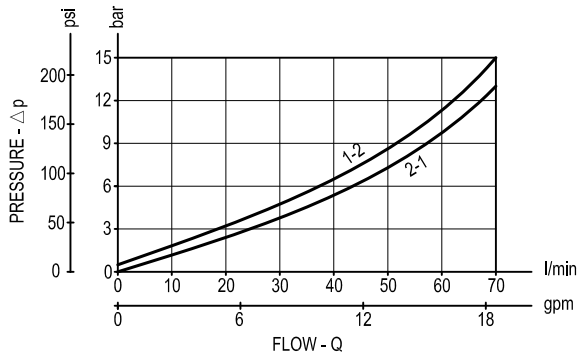
Characteristic curves

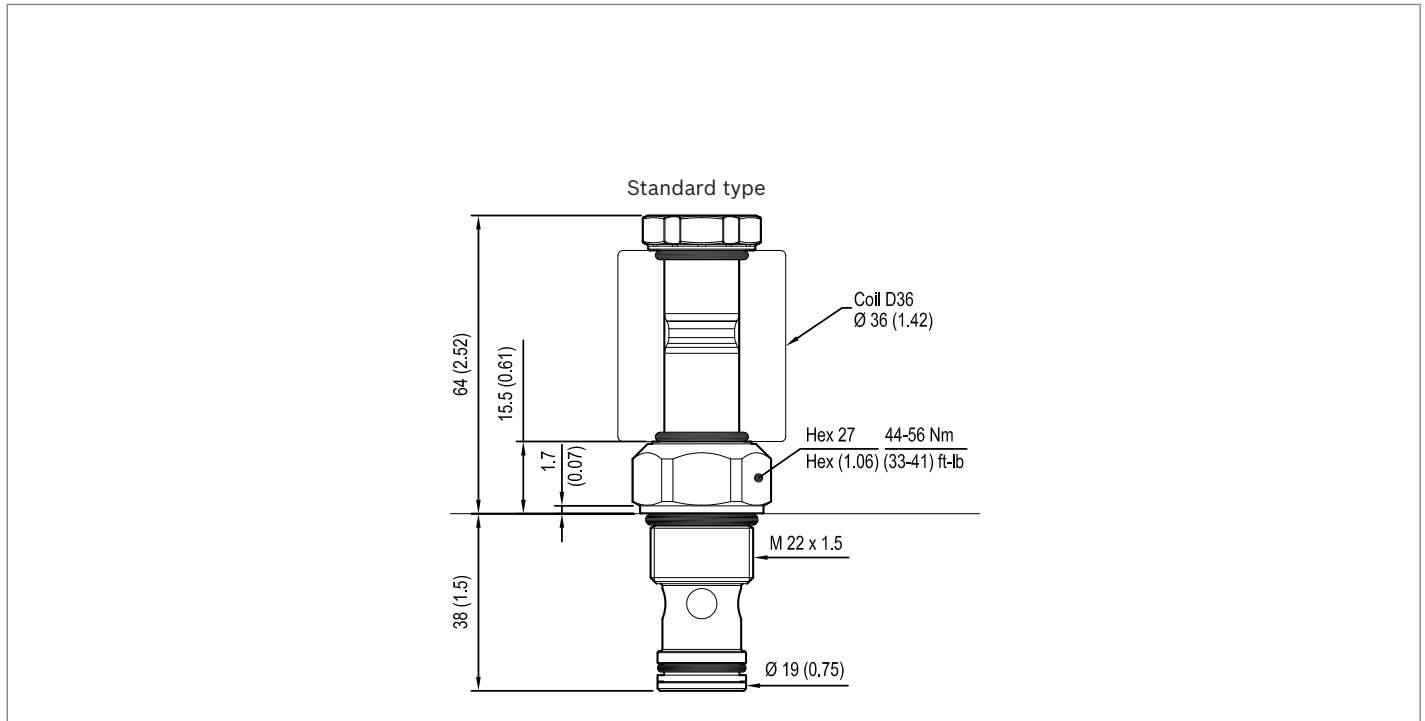
All Versions - Admissible supply voltage Vs. Ambient temperature at 100% duty cycle



Version 05

Version 05 with extra spring



Dimensions**Solenoid operated valves, poppet 2-way
normally closed****Bosch Rexroth Oil Control S.p.A.**

Via Leonardo da Vinci 5
P.O. Box no. 5
41015 Nonantola – Modena, Italy
Tel. +39 059 887 611
Fax +39 059 547 848
compact-hydraulics-cv@boschrexroth.com
www.boschrexroth.com/compacthydraulics

© This document, as well as the data, specifications and other information set forth in it, are the exclusive property of Bosch Rexroth Oil Control S.p.a.. It may not be reproduced or given to third parties without its consent. The data specified above only serve to describe the product. No statements concerning a certain condition or suitability for a certain application can be derived from our information. The information given does not release the user from the obligation of own judgment and verification. It must be remembered that our products are subject to a natural process of wear and aging. Subject to change.