

# Dual counterbalance, standard poppet type

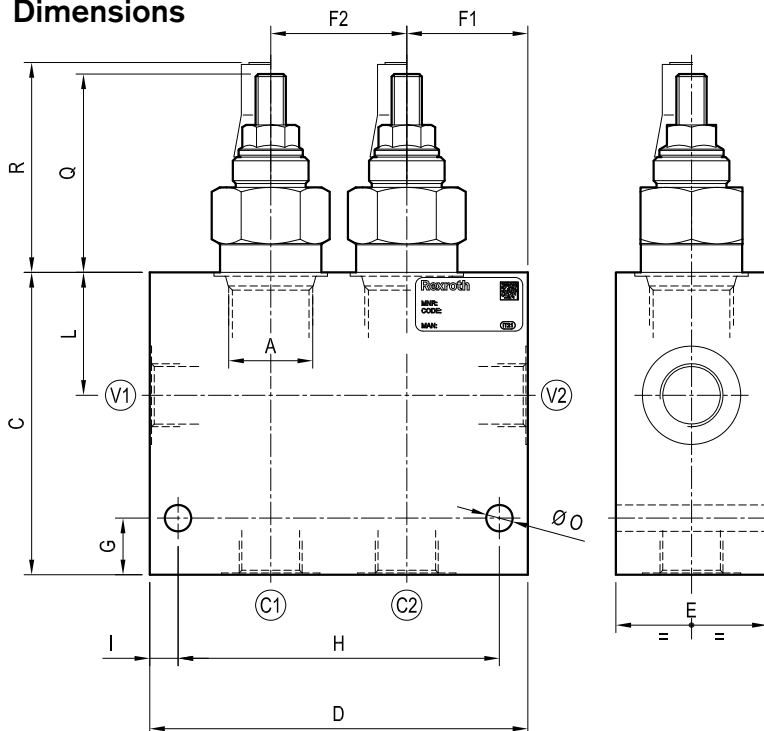
Double common cavity

Cartridge style in manifold

VBSN-DE-C

2Y.02 - K - X - Y - Z - W

## Dimensions



## Technical data

Max flow: up to 320 l/min (85 gpm)

Max operating pressure for **steel** body: 350 bar (5000 psi)

Max operating pressure for **aluminium** body: 210 bar (3000 psi)

To order only manifold see data sheet RE 18325-85

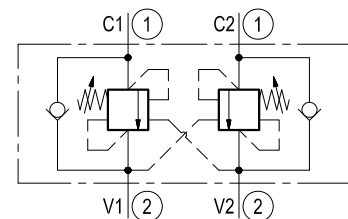


Table "Y"

Cavity	Y	PORT SIZE V1-V2-C1-C2	Max Flow l/min (gpm)	DIMENSIONS mm (Inches)												
				C	D	E	F1	F2	G	H	I	L	M	O	Q	R
SIZE 08	02	G 3/8	30 (8)	60 (2.36)	90 (3.54)	30 (1.18)	27 (1.06)	36 (1.42)	15 (0.59)	75 (2.95)	7.5 (0.3)	27.5 (1.08)		7 (0.28)	55 (2.17)	64 (2.52)
				80 (3.15)	100 (3.94)	40 (1.58)	32 (1.26)	36 (1.42)	15 (0.59)	85 (3.35)	7.5 (0.30)	32.5 (1.28)		7 (0.28)	53 (2.09)	59 (2.32)
SIZE 10	02	G 3/8	60 (16)	80 (3.15)	100 (3.94)	40 (1.58)	32 (1.26)	36 (1.42)	15 (0.59)	85 (3.35)	7.5 (0.30)	32.5 (1.28)		7 (0.28)	53 (2.09)	59 (2.32)
				80 (3.15)	100 (3.94)	40 (1.58)	32 (1.26)	36 (1.42)	15 (0.59)	85 (3.35)	7.5 (0.30)	32.5 (1.28)		7 (0.28)	53 (2.09)	59 (2.32)
SIZE 12	03	G 1/2	120 (32)	90 (3.54)	125 (4.92)	50 (1.97)	40 (1.58)	45 (1.77)	15 (0.59)	105 (4.13)	10 (0.39)	41.5 (1.63)		7 (0.28)	61 (2.4)	67 (2.64)
				90 (3.54)	125 (4.92)	50 (1.97)	40 (1.58)	45 (1.77)	15 (0.59)	105 (4.13)	10 (0.39)	41.5 (1.63)		7 (0.28)	61 (2.4)	67 (2.64)
SIZE 16	04	G 3/4	200 (53)	90 (3.54)	145 (5.71)	50 (1.97)	45 (1.77)	55 (2.17)	22 (0.87)	125 (4.92)	10 (0.39)	38.5 (1.52)		9 (0.35)	73 (2.87)	80 (3.15)
				90 (3.54)	145 (5.71)	50 (1.97)	45 (1.77)	55 (2.17)	22 (0.87)	125 (4.92)	10 (0.39)	38.5 (1.52)		9 (0.35)	73 (2.87)	80 (3.15)
SIZE 20	05	G 1	320 (85)	120 (4.72)	175 (6.89)	60 (2.36)	55 (2.17)	65 (2.56)	25 (0.98)	150 (5.91)	12.5 (0.49)	51 (2.01)		11 (0.43)	65 (2.56)	72.5 (2.85)
				120 (4.72)	175 (6.89)	60 (2.36)	55 (2.17)	65 (2.56)	25 (0.98)	150 (5.91)	12.5 (0.49)	51 (2.01)		11 (0.43)	65 (2.56)	72.5 (2.85)



Performance graphs

