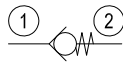
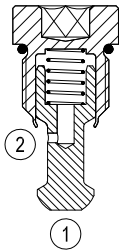


Insert type Check, poppet type

Special cavity, 730

VUM1.050

OT.U6.01.00.99 - Z

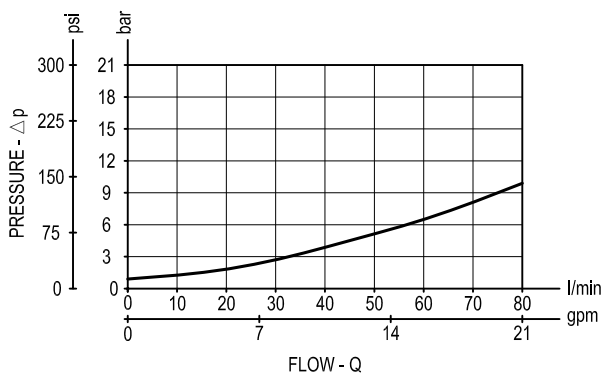


Description

When pressure at 1 rises above the spring bias pressure, the poppet is lifted and flow allowed from 1 to 2. The valve is closed (checked) from 2 to 1. Precision machining and hardening processes allow virtually leak-free performance in the checked condition.

Note: to obtain a good leak proof performance coin the cavity seat using a loose valve poppet (P/N 0F.S2.013) as a coining tool. Please consult factory for any question.

Performance

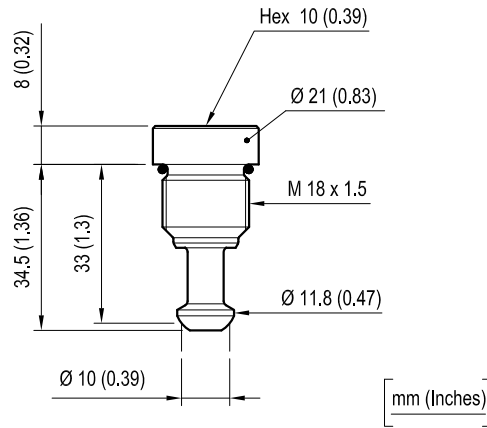


Technical data

Max. operating pressure	bar (psi)	380 (5500)
Max. flow	l/min. (gpm)	80 (21)
Max. internal leakage	drops/min.	5
Fluid temperature range	°C (°F)	-30 to 100 (-22 to 212)
Installation torque	Nm (ft-lbs)	45-50 (33-37)
Weight	kg (lbs)	0.05 (0.11)
Special cavity		730
Lines bodies and standard assemblies		Please refer to section "Hydraulic integrated circuit" or consult factory
Seal kit (*)	code material no.	RG0730020000100 R931002406
Fluids		Mineral-based or synthetics with lubricating properties at viscosities of 5 to 800 mm ² /s (cSt)
Recommended degree of fluid contamination		Nominal value max. 10µm (NAS 8) ISO 4406 20/18/15
Installation		No restrictions
MTTFD		150 years see RE 18350-51
Other Technical Data		See data sheet RE 18350-50

(*) Only external seals for 10 valves

Dimensions



Ordering code

0T.U6.01.00.99	Z	*
----------------	---	---

Insert type - Check, poppet type

Series O/A to L
unchanged performances and dimensions

Special cavity, 730

	SPRINGS
	Cracking pressure bar (psi)
= 00	1 (15)

Type	Material number
OTU601009900000	R901109792

Type	Material number