

# Flow divider, combiner

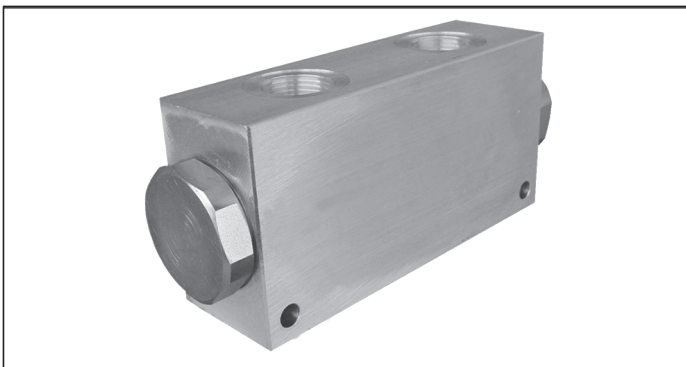
DRF

0M.51.03.90.05 - Z

**RE 18309-58**

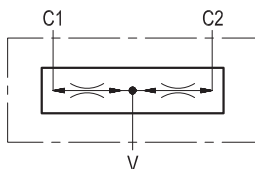
Edition: 03.2016

Replaces: 07.2012



## Description

This valve gives division of input flow from V to C1-C2, and re-combines flows in reverse direction from C1-C2 to V. The ratio between the flows through C1 and through C2 is maintained constant (typically 50% / 50%) over a wide range of pressure variations and of pressure imbalance in order to synchronize the motion of 2 actuators in both forward and reverse directions. In flow division mode, should either C1 or C2 be blocked, approximately 1÷2% of the available flow can be forced through the port still open.

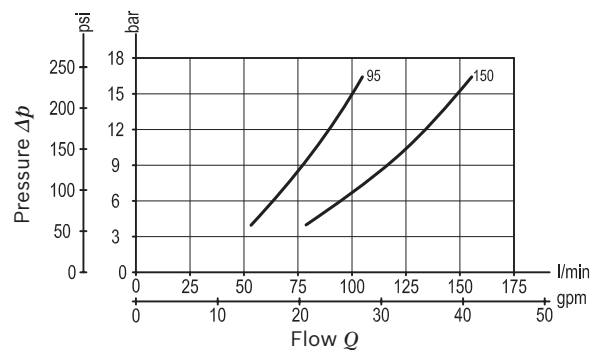


## Technical data

Operating pressure	up to 210 bar (3000 psi)
Flow division ratio: 50% - 50%	
For any chosen inlet flow capacity (refer to table Z), the slippage, or the difference from theoretical value between the divided flows, depends from the inlet flow, and is lowest in the top portion of the selected range: generally it never exceeds $\pm 3\%$ .	
Weight	2.2 kg (4.9 lbs)
Manifold material	Aluminium
Note: aluminium bodies are often strong enough for operating pressures exceeding 210 bar (3000 psi), depending from the fatigue life expected in the specific application. If in doubt, consult our Service Network.	
Fluid	Mineral oil (HL, HLP) according DIN 51524
Fluid temperature range	-30 °C to 100 (-22 to 212 °F)
Viscosity range	5 to 800 mm <sup>2</sup> /s (cSt)
Recommended degree of fluid contamination	Class 19/17/14 according to ISO 4406
Other technical data	see data sheet 18350-50

Note: for applications outside these parameters, please consult us.

## Characteristic curve



**Ordering code**

<b>0M.51.03.90</b>	<b>05</b>	<b>Z</b>
--------------------	-----------	----------

Flow divider, combiner

	INLET CAPACITY
<b>95</b>	56 to 95 l/min (14.8 to 25.1 gpm)
<b>150</b>	90 to 150 l/min (27.78 to 39.63 gpm)

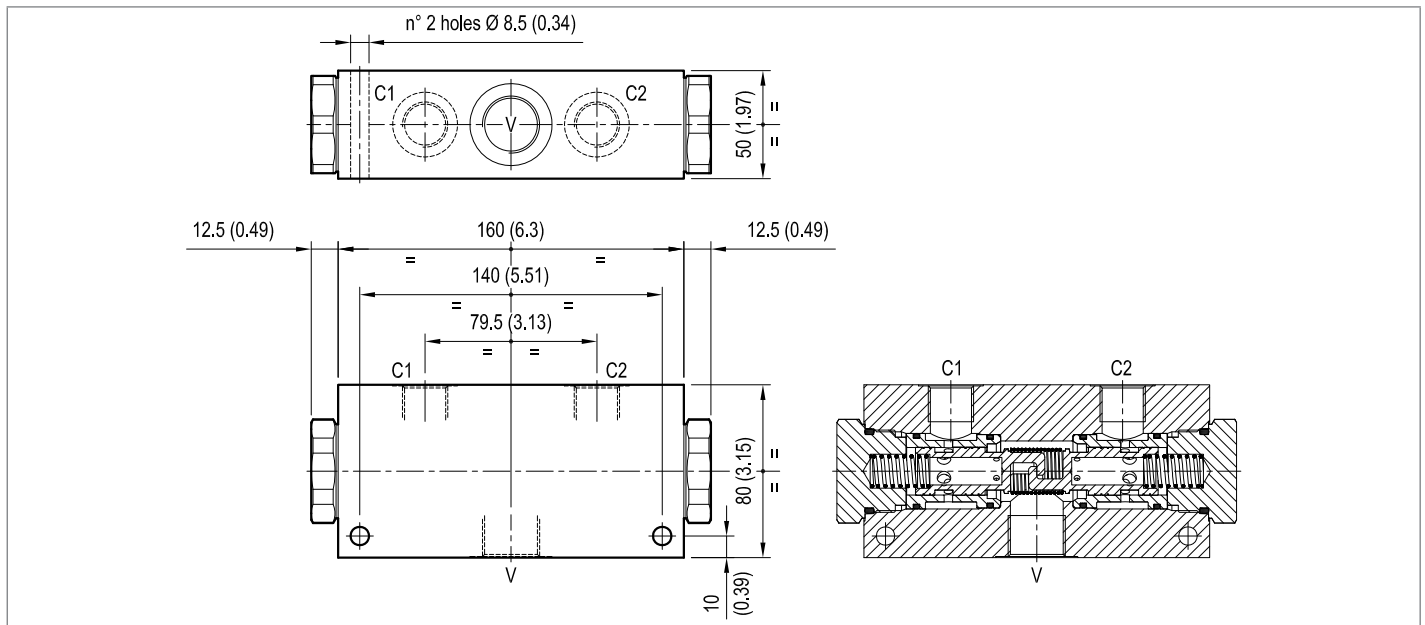
Port sizes	V	C1 - C2	
	G 1	G 3/4	

**Preferred types**

Type	Material number
0M510390059500A	R930001891
0M510390051500A	R930005817

Type	Material number

**Dimensions**



**Bosch Rexroth Oil Control S.p.A.**

Via Leonardo da Vinci 5  
 P.O. Box no. 5  
 41015 Nonantola – Modena, Italy  
 Tel. +39 059 887 611  
 Fax +39 059 547 848  
 compact-hydraulics-pib@boschrexroth.com  
 www.boschrexroth.com/compacthydraulics

© This document, as well as the data, specifications and other information set forth in it, are the exclusive property of Bosch Rexroth Oil Control S.p.a.. It may not be reproduced or given to third parties without its consent. The data specified above only serve to describe the product. No statements concerning a certain condition or suitability for a certain application can be derived from our information. The information given does not release the user from the obligation of own judgment and verification. It must be remembered that our products are subject to a natural process of wear and aging. Subject to change.