

Logic element, pressure control
with internal pilot
Common cavity, Size 12

VLSR-12A

04.84.04 - X - 57 - Z

RE 18321-73

Edition: 03.2016

Replaces: 01.2010



Technical data

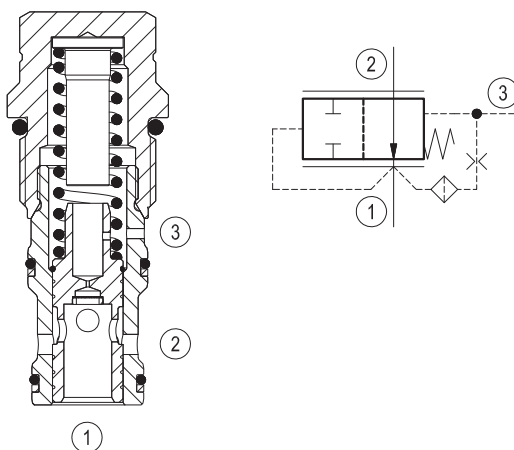
Max. operating pressure	350 bar (5000 psi)
Max. Flow	60 l/min. (16 gpm)
Max. internal leakage ¹⁾	100 cm ³ /min. (6 cu.in./min.)
Fluid temperature range	-30 to 100 °C (-22 to 212 °F)
Installation torque	81 - 95 Nm (60 - 70 ft-lbs)
Weight	0.22 kg (0.49 lbs)
Standard internal orifice	0.6 mm
Cavity	CA-12A-3C (see data sheet 18325-70)
Lines bodies and standard assemblies	Please refer to section "Hydraulic integrated circuit" or consult factory
Seal kit ²⁾	Code: RG12A9010520100 material no: R901111379
Fluids	Mineral-based or synthetics with lubricating properties at viscosities of 10 to 500 mm ² /s (cSt)
Recommended degree of fluid contamination	Nominal value max. 10µm (NAS 8) / ISO 4406 19/17/14
Installation	No restrictions
Other Technical Data	See data sheet 18350-50

Description

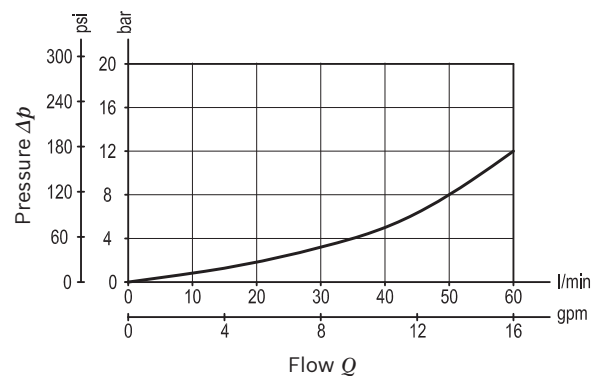
When pressure at 1 rises above the selected spring bias pressure against the spool, the valve shifts to allow block flow from 2 to 1. The differential pressure between 1 and 3, across an internal orifice, is additive to the spring bias pressure. Note that flow, restricted by the internal orifice, can be transmitted from 3 to 1 and 2. The valve may be used in switching or compensation type applications.

1) Measured at 200 bar (2900 psi)

2) Only external seals for 10 valves



Characteristic curve



Ordering code

04.84.04	X	57	Z	00	*
-----------------	----------	-----------	----------	-----------	----------

Logic element, pressure control with internal pilot

Series 0/A to L
unchanged performances and dimensions

Version and options standard

Adjustments

00 Fixed setting

SPRINGS	
	Bias spring bar (psi)
04	4 (60) ± 20%
08	8 (115) ± 15%

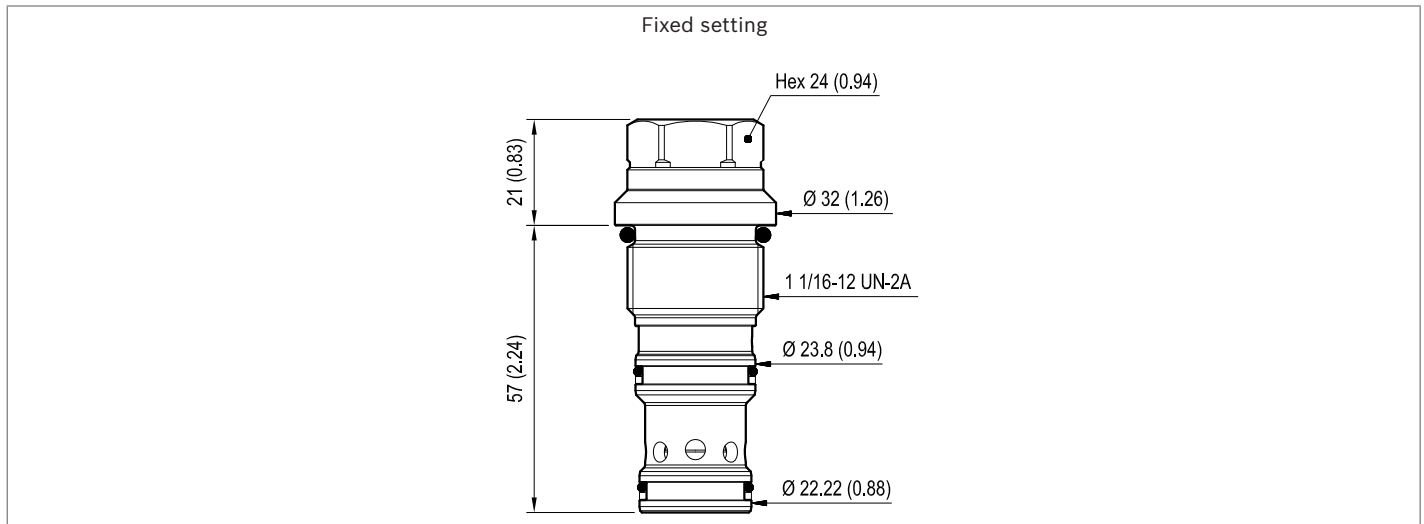
57 Common cavity, Size 12

Preferred types

Type	Material number
048404005704000	R901191617
048404005708000	R901191615

Type	Material number

Dimensions



Bosch Rexroth Oil Control S.p.A.

Via Leonardo da Vinci 5
P.O. Box no. 5
41015 Nonantola – Modena, Italy
Tel. +39 059 887 611
Fax +39 059 547 848
compact-hydraulics-cv@boschrexroth.com
www.boschrexroth.com/compacthydraulics

© This document, as well as the data, specifications and other information set forth in it, are the exclusive property of Bosch Rexroth Oil Control S.p.a.. It may not be reproduced or given to third parties without its consent. The data specified above only serve to describe the product. No statements concerning a certain condition or suitability for a certain application can be derived from our information. The information given does not release the user from the obligation of own judgment and verification. It must be remembered that our products are subject to a natural process of wear and aging. Subject to change.