

Logic element, flow control  
with external pilot  
Common cavity, Size 12

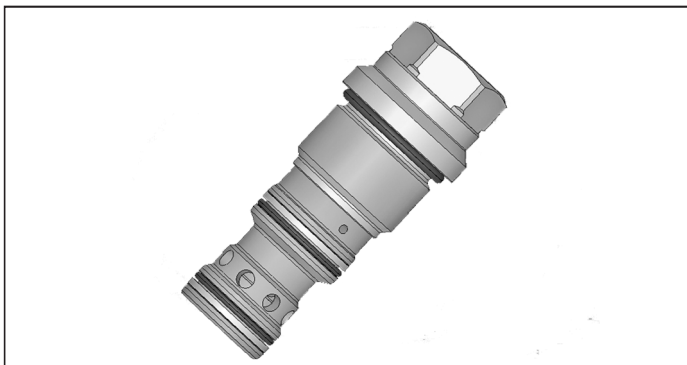
VLSC-12A

04.84.02 - X - 57 - Z

**RE 18321-59**

Edition: 05.2017

Replaces: 03.2016



**Technical data**

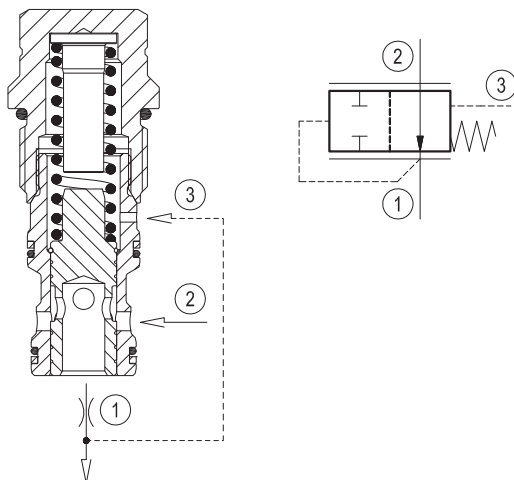
Max. operating pressure	350 bar (5000 psi)
Max. Flow	60 l/min (16 gpm)
Max. internal leakage <sup>1)</sup>	100 cm <sup>3</sup> /min. (6 cu.in./min.)
Fluid temperature range	-30 to 100 °C (-22 to 212 °F)
Installation torque	81 - 95 Nm (60 - 70 ft-lbs)
Weight	0.23 kg (0.51 lbs)
Cavity	CA-12A-3C (see data sheet 18325-70)
Lines bodies and standard assemblies	Please refer to section "Hydraulic integrated circuit" or consult factory
Seal kit <sup>2)</sup>	Code: RG12A9010520100 material no: R901111379
Fluids	Mineral-based or synthetics with lubricating properties at viscosities of 10 to 500 mm <sup>2</sup> /s (cSt)
Recommended degree of fluid contamination	Nominal value max. 10µm (NAS 8) / ISO 4406 19/17/14
Installation position	No restrictions
Other Technical Data	See data sheet 18350-50

**Description**

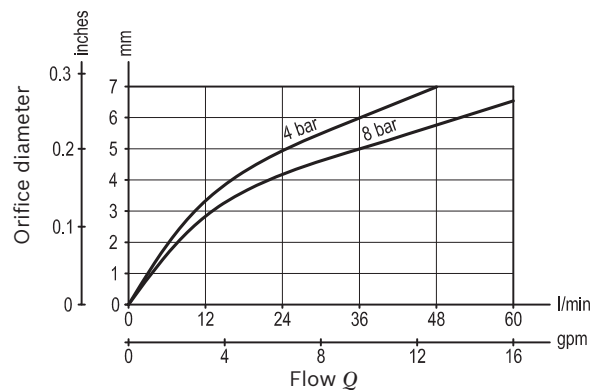
When pressure at 1 rises above the selected spring bias pressure against the spool, the valve shifts to block flow from 2 to 1. Pilot pressure at 3 is additive to the spring bias pressure. The valve may be used in switching or compensation type applications, and will maintain a constant pressure drop across a fixed (or variable) orifice downstream of 1 when installed and piloted per the diagram above.

1) Measured at 200 bar (2900 psi)

2) Only external seals for 10 valves



**Characteristic curve**



**Ordering code**

<b>04.84.02</b>	<b>X</b>	<b>57</b>	<b>Z</b>	<b>00</b>	<b>*</b>
-----------------	----------	-----------	----------	-----------	----------

Logic element, flow control with external pilot

Pilot ratio

**00** Fixed setting

**57** Common cavity, Size 12

Series O/A to L  
unchanged performances and dimensions

Version and options standard

SPRINGS			
	Adj. press. range bar (psi)	Pressure increase bar/turn (psi/turn)	Bias spring bar (psi)
<b>04</b>	-	-	4 (60) ±20%
<b>08</b>	-	-	8 (115) ±15%

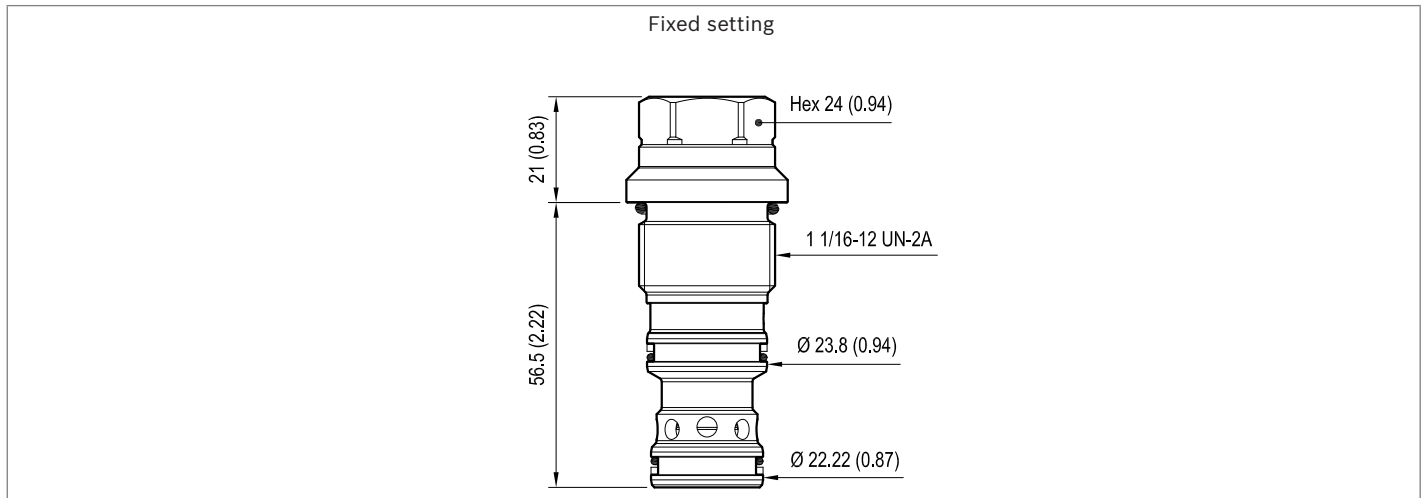
**Note:** Special settings available. Contact factory authorized representative for ordering code.

**Preferred types**

Type	Material number
048402005704000	R930005759
048402005708000	R930005760

Type	Material number

**Dimensions**



**Bosch Rexroth Oil Control S.p.A.**

Via Leonardo da Vinci 5  
P.O. Box no. 5  
41015 Nonantola – Modena, Italy  
Tel. +39 059 887 611  
Fax +39 059 547 848  
compact-hydraulics-cv@boschrexroth.com  
www.boschrexroth.com/compacthydraulics

© This document, as well as the data, specifications and other information set forth in it, are the exclusive property of Bosch Rexroth Oil Control S.p.a.. It may not be reproduced or given to third parties without its consent. The data specified above only serve to describe the product. No statements concerning a certain condition or suitability for a certain application can be derived from our information. The information given does not release the user from the obligation of own judgment and verification. It must be remembered that our products are subject to a natural process of wear and aging. Subject to change.