

Directional spool type, direct acting,  
external pilot internal drain  
Common cavity, Size 10

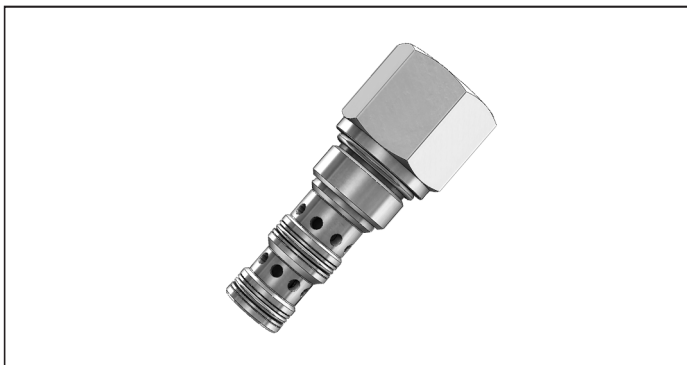
VDSA-10A

04.77.32 - X - 85 - Z

**RE 18320-83**

Edition: 03.2017

Replaces: 03.2016



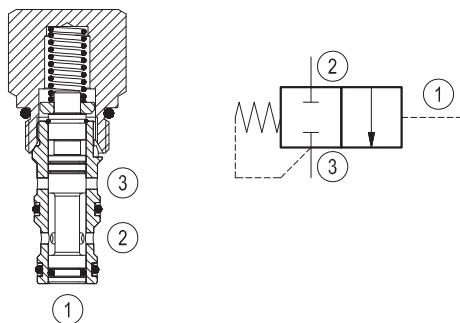
**Technical data**

Max. operating pressure	350 bar (5000 psi)
Max. flow	50 l/min. (13 gpm)
Max. internal leakage <sup>1)</sup>	120 cm <sup>3</sup> /min. (7 cu.in./min.)
Pilot displacement volume	0.28 cm <sup>3</sup> (0.02 cu.in.)
Fluid temperature range	-30 to 100 °C (-22 to 212 °F)
Installation torque	41 - 47 Nm (30 - 35 ft-lbs)
Weight	0.22 kg (0.49 lbs)
Cavity	CA-10A-3N (see data sheet 18325-70)
Lines bodies and standard assemblies	Please refer to section "Hydraulic integrated circuit" or consult factory
Seal kit <sup>2)</sup>	Code: RG10A3010530100 material no: R930000990
Fluids	Mineral-based or synthetics with lubricating properties at viscosities of 10 to 500 mm <sup>2</sup> /s (cSt)
Recommended degree of fluid contamination	Nominal value max. 10µm (NAS 8) / ISO 4406 19/17/14
Installation position	No restrictions
Other Technical Data	See data sheet 18350-50

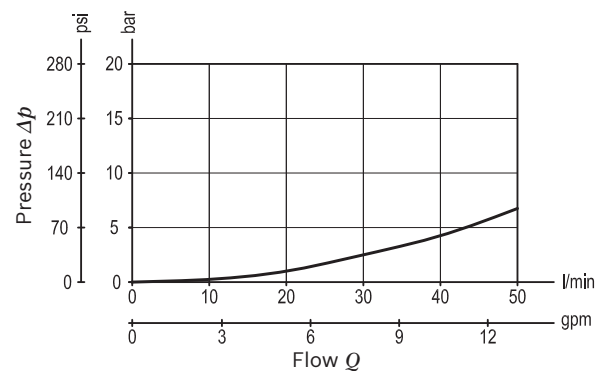
**Description**

Flow is blocked from 2 to 3 until the pressure at 1 rises to the selected spring setting. Upon reaching this pressure, the spool shifts upward, allowing flow from 2 to 3 until pressure at 1 drops below the set point. The spring chamber is drained to 3, thus any pressure at 3 is additive to the spring setting.

- 1) Measured at 200 bar (2900 psi)
- 2) Only external seals for 10 valves



**Characteristic curve**



**Ordering code**

<b>04.77.32</b>	<b>X</b>	<b>85</b>	<b>Z</b>	<b>00</b>	<b>*</b>
-----------------	----------	-----------	----------	-----------	----------

Directional spool type, direct acting  
external pilot internal drain

Series 0/A to L  
unchanged performances and dimensions

Version and options standard

O-Ring on pilot piston

- 00** No O-Ring
- 10** With O-Ring

SPRINGS	
Std. setting bar (psi)	
<b>05</b>	5.5 (80) ± 20%
<b>11</b>	11.5 (167) ± 10%

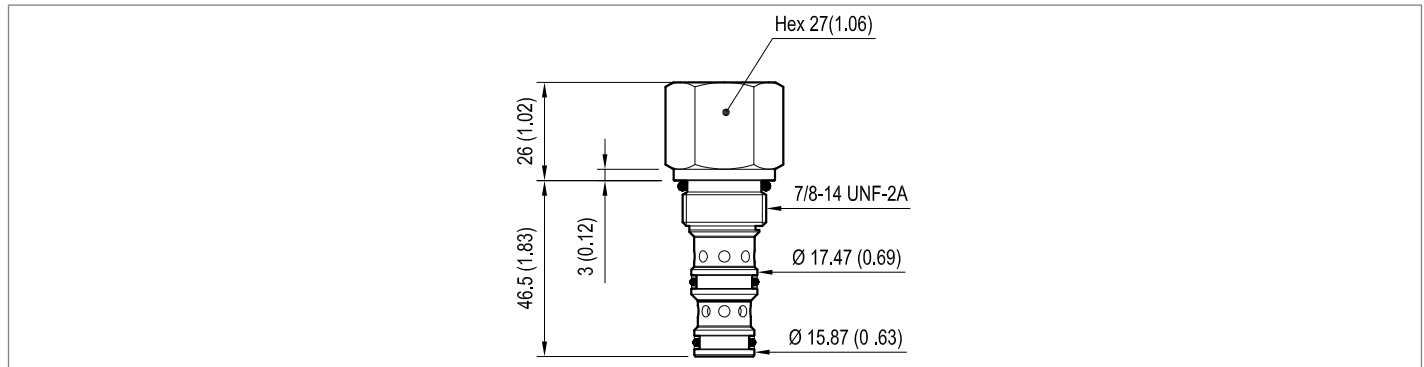
**85** Common cavity, Size 10

**Preferred types**

Type	Material number
047732008505000	R930002334
047732008511000	R930002463
047732108505000	R930005654
047732108511000	R930002602

Type	Material number

**Dimensions**



**Bosch Rexroth Oil Control S.p.A.**

Via Leonardo da Vinci 5  
P.O. Box no. 5  
41015 Nonantola – Modena, Italy  
Tel. +39 059 887 611  
Fax +39 059 547 848  
compact-hydraulics-cv@boschrexroth.com  
www.boschrexroth.com/compacthydraulics

© This document, as well as the data, specifications and other information set forth in it, are the exclusive property of Bosch Rexroth Oil Control S.p.a.. It may not be reproduced or given to third parties without its consent. The data specified above only serve to describe the product. No statements concerning a certain condition or suitability for a certain application can be derived from our information. The information given does not release the user from the obligation of own judgment and verification. It must be remembered that our products are subject to a natural process of wear and aging. Subject to change.