

Relief, pilot operated spool type
pressure compensated
Special cavity, 065

VSP-CC-150

04.18.01 - X - 99 - Z

RE 18318-27

Edition: 09.2009

Replaces: 01.2006



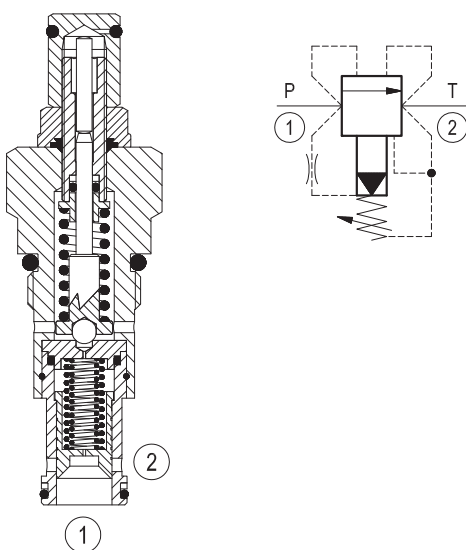
Description

Flow is blocked from 1 to 2 until pressure increases to meet the selected valve setting, lifting the pilot-stage ball check from its seat. This action exhausts oil above the main-stage piston (spool type), allowing it to shift and provide relief flow through 2 to tank. The valve applies a balanced piston design allowing consistent relief operation at the valve setting independent of back-pressure at 2.

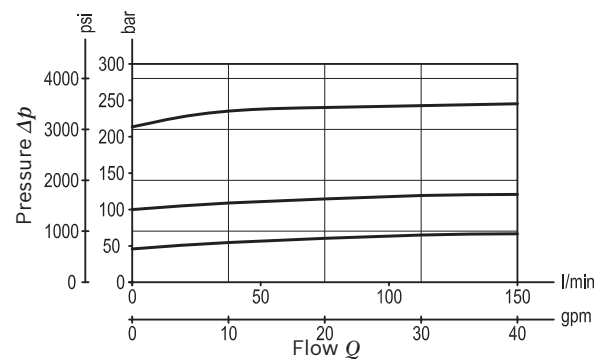
Technical data

Max. operating pressure port 1 (P)	420 bar (6000 psi)
Max. pressure admitted port 2 (T)	140 bar (2000 psi)
Flow range	5 - 150 l/min (1.3 - 40 gpm)
Max. internal leakage ¹⁾	100 cm ³ /min. (6 cu.in./min.)
Fluid temperature range	-30 to 100 °C (-22 to 212 °F)
Installation torque	121 - 133 Nm (89 - 98 ft-lbs)
Weight	0.28 kg (0.62 lbs)
Special cavity	065 (see data sheet 18325-75)
Lines bodies and standard assemblies	Please refer to section "Hydraulic integrated circuit" or consult factory
Seal kit ²⁾	Code: RG0065010520100 material no: R930001958
Fluids	Mineral-based or synthetics with lubricating properties at viscosities of 10 to 500 mm ² /s (cSt)
Recommended degree of fluid contamination	Nominal value max. 10µm (NAS 8) / ISO 4406 19/17/14
Installation position	No restrictions
Other Technical Data	See data sheet 18350-50

- 1) Measured at 200 bar (2900 psi)
- 2) Only external seals for 10 valves



Characteristic curve



Ordering code

04.18.01	X	99	Z	00	*
-----------------	----------	-----------	----------	-----------	----------

Relief, pilot operated spool type
pressure compensated

Adjustments

03 Leakproof hex. socket screw

99 Special cavity, 065

Series 0/A to L
unchanged performances and dimensions

Version and options standard

SPRINGS			
	Adj. press. range bar (psi)	Pressure increase bar/turn (psi/turn)	Std. setting bar (psi) Q=5 l/min
10	* 20-105 (300-1500)	21 (305)	100 (1450)
20	35-210 (500-3000)	35 (508)	200 (2900)
35	70-420 (1000-6000)	115 (1668)	350 (5000)

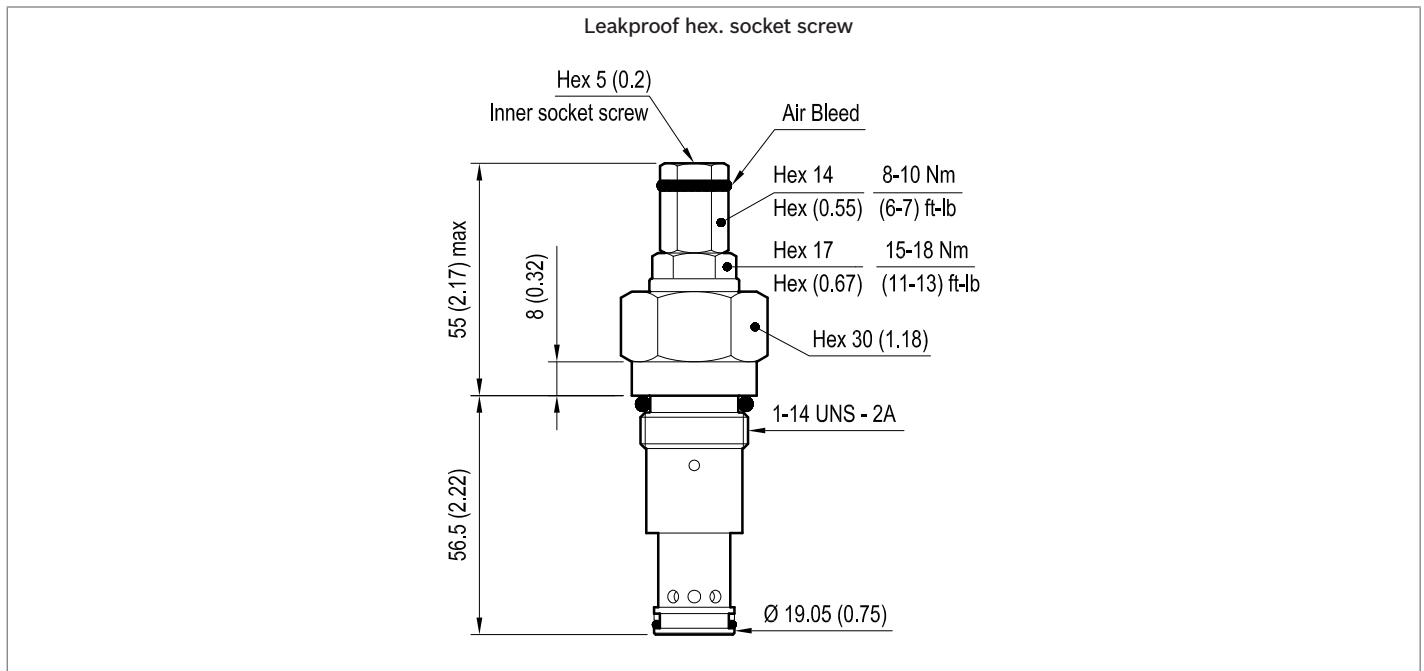
* Minimum pressure setting intended with Q=5 l/min. (1.3 gpm)

Preferred types

Type	Material number
041801039910000	R930000402
04180103992000A	R930000403
04180103993500A	R930000404

Type	Material number

Dimensions



Bosch Rexroth Oil Control S.p.A.

Via Leonardo da Vinci 5
P.O. Box no. 5
41015 Nonantola – Modena, Italy
Tel. +39 059 887 611
Fax +39 059 547 848
compact-hydraulics-cv@boschrexroth.com
www.boschrexroth.com/compacthydraulics

© This document, as well as the data, specifications and other information set forth in it, are the exclusive property of Bosch Rexroth Oil Control S.p.a.. It may not be reproduced or given to third parties without its consent. The data specified above only serve to describe the product. No statements concerning a certain condition or suitability for a certain application can be derived from our information. The information given does not release the user from the obligation of own judgment and verification. It must be remembered that our products are subject to a natural process of wear and aging. Subject to change.