

Relief, direct acting poppet type

Special cavity, 348

VS-5-CN

04.11.58 - X - 99 - Z

**RE 18318-19**

Edition: 06.2021

Replaces: 01.2019



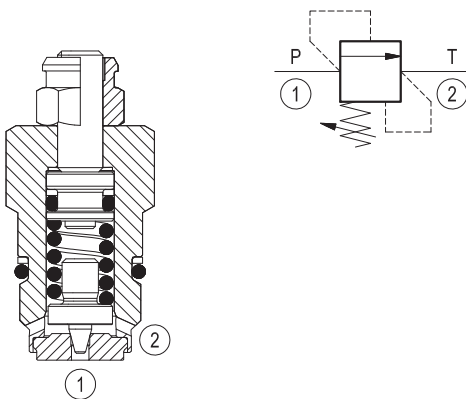
**Description**

Flow is blocked from 1 to 2 until pressure increases to meet the selected valve setting, lifting the poppet from its seat and allowing relief flow through 2 to tank. Pressure at 2 is additive to the relief setting of the valve. The cartridge is suitable only for pilot or thermal relief applications.

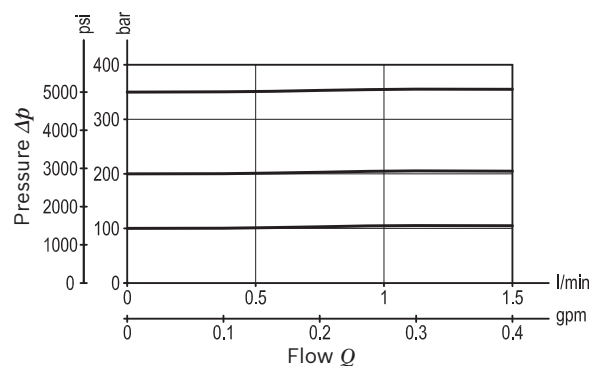
**Technical data**

Max. operating pressure	460 bar (6600 psi)
Max. flow	1.5 l/min (0.4 gpm)
Max. internal leakage <sup>1)</sup>	5 drops/min.
Fluid temperature range	-30 to 100 °C (-22 to 212 °F)
Installation torque	27 - 33 Nm (20 - 24 ft-lbs)
Weight	0.05 kg (0.11 lbs)
MTTFd	150 years see RE 18350-51
Special cavity	348 (see data sheet 18325-75)
Lines bodies and standard assemblies	Please refer to section "Hydraulic integrated circuit" or consult factory
Seal kit <sup>2)</sup>	Code: RG0348010520100 material no: R930001669
Fluids	Mineral-based or synthetics with lubricating properties at viscosities of 10 to 500 mm <sup>2</sup> /s (cSt)
Recommended degree of fluid contamination	Nominal value max. 10µm (NAS 8) / ISO 4406 20/18/15
Installation position	No restrictions
Salt spray test to DIN EN ISO 9227:2017-07	500h
Other Technical Data	See data sheet 18350-50

- 1) At 80% of pressure setting
- 2) Only external seals for 10 valves



**Characteristic curve**



**Ordering code**

<b>04.11.58</b>	<b>X</b>	<b>99</b>	<b>Z</b>	<b>00</b>	<b>*</b>
-----------------	----------	-----------	----------	-----------	----------

Relief, direct acting poppet type

Adjustments

**03** Leakproof hex. socket screw

**99** Special cavity, 348

Series 0/A to L  
unchanged performances and dimensions

Version and options standard

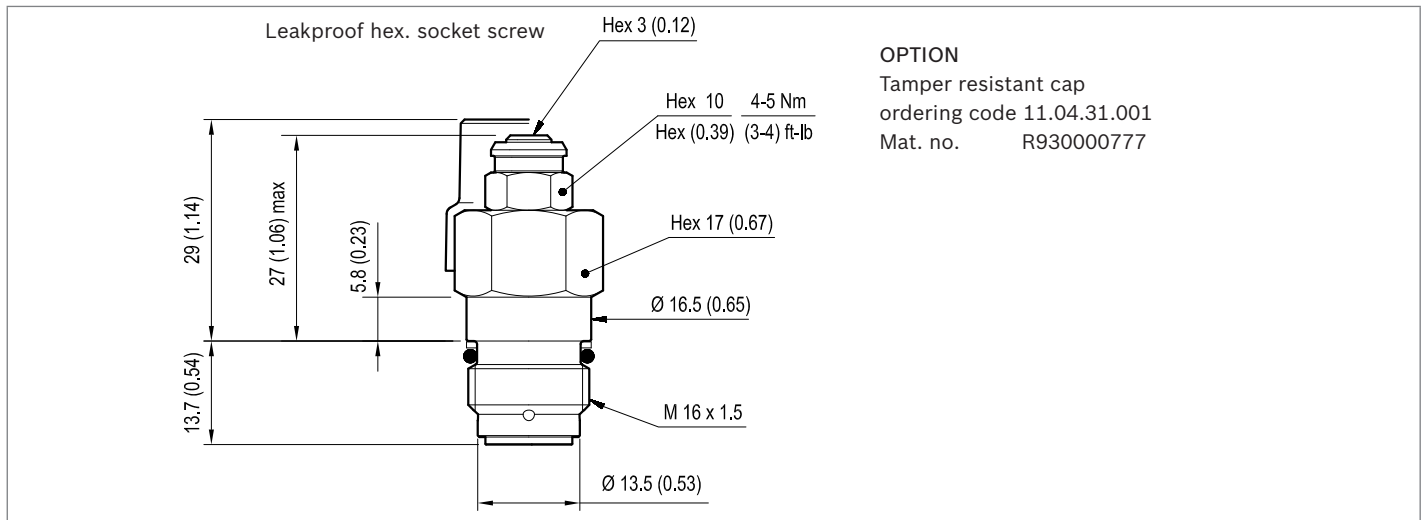
SPRINGS			
	Adj. press. range bar (psi)	Pressure increase bar/turn (psi/turn)	Std. setting bar (psi) cracking pressure
<b>10</b>	25-100 (350-1450)	40 (580)	100 (1450)
<b>20</b>	100-200 (1450-2900)	73 (1059)	200 (2900)
<b>35</b>	200-350 (2900-5000)	167 (2422)	350 (5000)
<b>46</b>	350-460 (5000-6600)	228 (3306)	350 (5000)

**Preferred types**

Type	Material number
04115803991000A	R901098796
041158039920000	R901113594
041158039935000	R901113597
041158039946000	R901098895

Type	Material number

**Dimensions**



**Bosch Rexroth Oil Control S.p.A.**

Via Leonardo da Vinci 5  
 P.O. Box no. 5  
 41015 Nonantola – Modena, Italy  
 Tel. +39 059 887 611  
 Fax +39 059 547 848  
 compact-hydraulics-cv@boschrexroth.com  
 www.boschrexroth.com/compacthydraulics

© This document, as well as the data, specifications and other information set forth in it, are the exclusive property of Bosch Rexroth Oil Control S.p.a.. It may not be reproduced or given to third parties without its consent. The data specified above only serve to describe the product. No statements concerning a certain condition or suitability for a certain application can be derived from our information. The information given does not release the user from the obligation of own judgment and verification. It must be remembered that our products are subject to a natural process of wear and aging. Subject to change.