

Flow control, 2-way pressure compensated,
fully adjustable
Common cavity, Size 10

VRFB-10A

04.02.02 - X - 85 - Z

RE 18321-16

Edition: 03.2022

Replaces: 01.2021



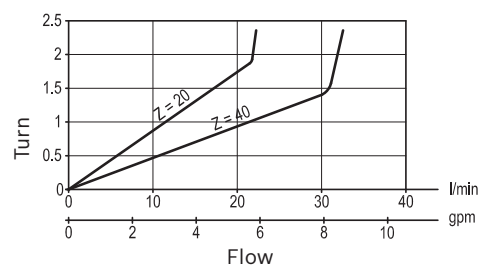
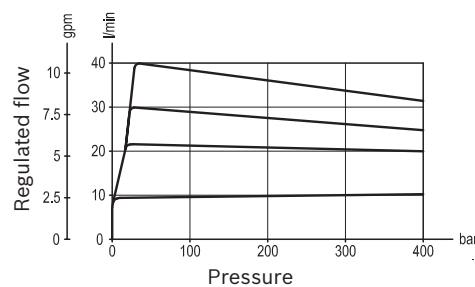
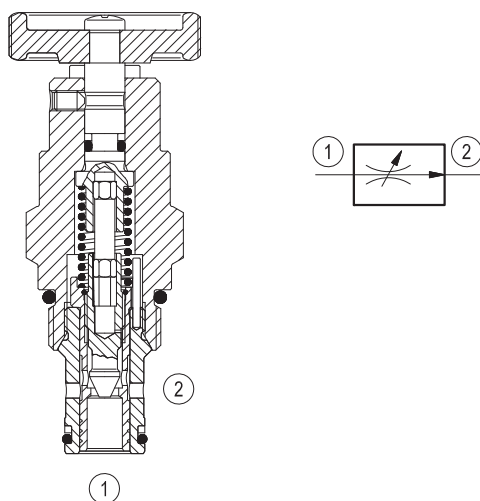
Technical data	
Pressure min. - max.	14 - 350 bar (200 - 5000 psi)
Flow range	see "Regulated flow range" table
Fluid temperature range	-30 to 100 °C (-22 to 212 °F)
Installation torque	41 - 47 Nm (30 - 35 ft-lbs)
Weight ¹⁾	0.27 kg (0.59 lbs)
Cavity	CA-10A-2N (see data sheet 18325-70)
Lines bodies and standard assemblies	Please refer to section "Hydraulic integrated circuit" or consult factory
Seal kit ²⁾	Code: RG10A2010520100 material no: R901111363
Fluids	Mineral-based or synthetics with lubricating properties at viscosities of 10 to 500 mm ² /s (cSt)
Recommended degree of fluid contamination	Nominal value max. 10µm (NAS 8) / ISO 4406 19/17/14
Installation	No restrictions
Other Technical Data	See data sheet 18350-50

Description

A constant flow rate, regardless of system pressures, is established from 1 to 2 while a minimum pressure differential of 14 bar (200 psi) exists between the two ports. Output flow can be varied from closed to the nominal maximum rating for the valve. Flow from 2 to 1 is limited by the diameter of the selected control orifice and is not pressure compensated.

- 1) Standard version X=04 type
- 2) Only external seals for 10 valves

Characteristic curve



Ordering code

04.02.02	X	85	Z	00	*
-----------------	----------	-----------	----------	-----------	----------

Flow control, 2-way pressure compensated fully adjustable

Adjustments

- 03** LLeakproof hex. socket screw
- 04** Handknob
- 40** Calibrated handknob

85 Common cavity, Size 10

Series 0/A to L
unchanged performances and dimensions

Version and options standard

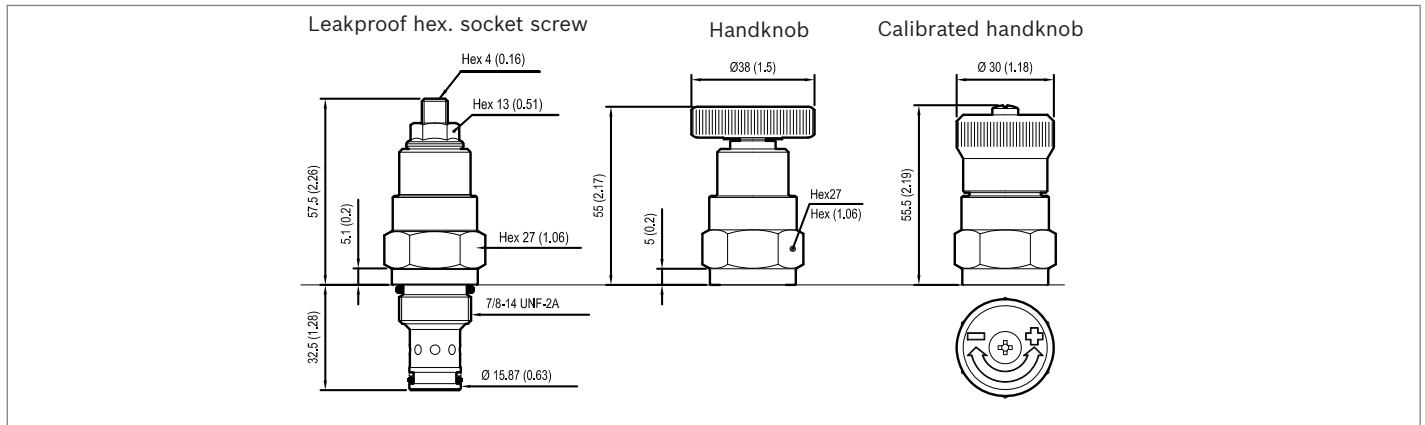
	Regulated flow range l/min. (gpm)
20	0.1-20 (0.03-5.28)
40	0.2-30 (0.05-7.93)

Preferred types

Type	Material number
04020204852000A	R930055368
04020204854000A	R930055371
04020240852000A	R930055372
04020240854000A	R930055373

Type	Material number
04020203852000A	R930055370
04020203854000A	R930055367

Dimensions



Bosch Rexroth Oil Control S.p.A.

Via Leonardo da Vinci 5
P.O. Box no. 5
41015 Nonantola – Modena, Italy
Tel. +39 059 887 611
Fax +39 059 547 848
compact-hydraulics-cv@boschrexroth.com
www.boschrexroth.com/compacthydraulics

© This document, as well as the data, specifications and other information set forth in it, are the exclusive property of Bosch Rexroth Oil Control S.p.a.. It may not be reproduced or given to third parties without its consent. The data specified above only serve to describe the product. No statements concerning a certain condition or suitability for a certain application can be derived from our information. The information given does not release the user from the obligation of own judgment and verification. It must be remembered that our products are subject to a natural process of wear and aging. Subject to change.