

Needle restrictor,
free reverse flow
Common cavity, Size 08

STVU-08A

04.01.03 - X - 56.00

RE 18321-10

Edition: 03.2016

Replaces: 11.2009



Description

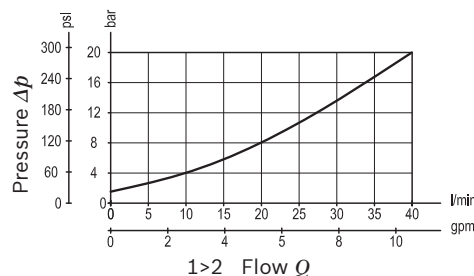
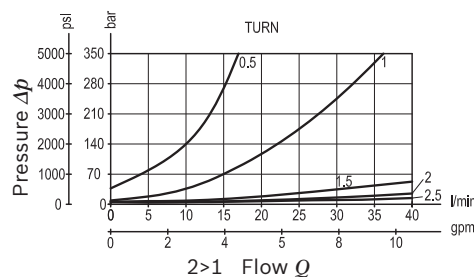
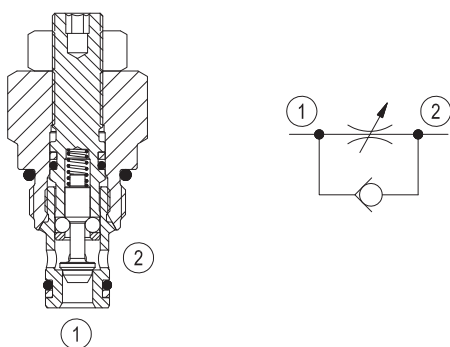
With flow from 2 to 1, the valve provides a fully adjustable orifice restriction. Free flow is permitted from 1 to 2, regardless of valve adjustment, by when pressure overcomes the spring bias of the valve's check function.

Technical data	
Max. operating pressure	350 bar (5000 psi)
Max. flow	40 l/min. (11 gpm)
Max. internal leakage ¹⁾	15 drops/min. closed
Fluid temperature range	-30 to 100 °C (-22 to 212 °F)
Installation torque	34 - 41 Nm (25 - 30 ft-lbs)
Weight	0.16 kg (0.35 lbs)
Cavity	CA-08A-2N (see data sheet 18325-70)
Lines bodies and standard assemblies	Please refer to section "Hydraulic integrated circuit" or consult factory
Seal kit ²⁾	Code: RG08A2010520100 material no: R901101437
Fluids	Mineral-based or synthetics with lubricating properties at viscosities of 5 to 800 mm ² /s (cSt)
Recommended degree of fluid contamination	Nominal value max. 10µm (NAS 8) / ISO 4406 19/17/14
Installation	No restrictions
Other Technical Data	See data sheet 18350-50

1) Measured at 200 bar (2900 psi)

2) Only external seals for 10 valves

Characteristic curve



Ordering code

04.01.03	X	56	00	00	*
-----------------	----------	-----------	-----------	-----------	----------

Needle restrictor, free reverse flow

Version and options standard

Series 0/A to L
unchanged performances and dimensions

Adjustments

03 Leakproof hex. socket screw

04 Handknob and locknut

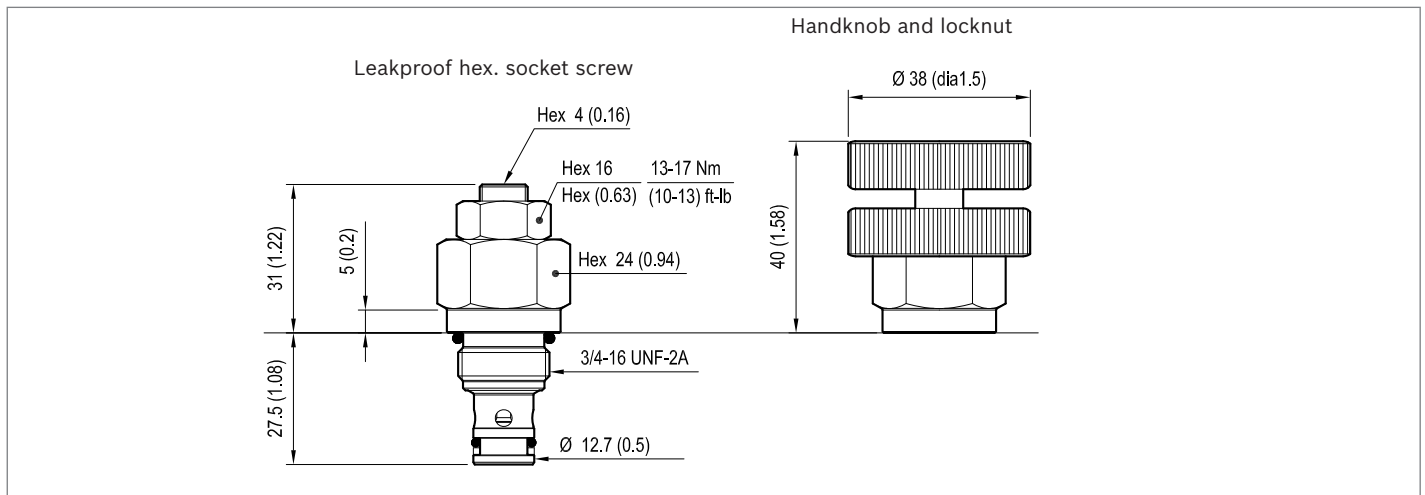
56 Common cavity, Size 08

Preferred types

Type	Material number
040103035600000	R930000002
040103045600000	R930000003

Type	Material number

Dimensions



Bosch Rexroth Oil Control S.p.A.

Via Leonardo da Vinci 5
P.O. Box no. 5
41015 Nonantola – Modena, Italy
Tel. +39 059 887 611
Fax +39 059 547 848
compact-hydraulics-cv@boschrexroth.com
www.boschrexroth.com/compacthydraulics

© This document, as well as the data, specifications and other information set forth in it, are the exclusive property of Bosch Rexroth Oil Control S.p.a.. It may not be reproduced or given to third parties without its consent. The data specified above only serve to describe the product. No statements concerning a certain condition or suitability for a certain application can be derived from our information. The information given does not release the user from the obligation of own judgment and verification. It must be remembered that our products are subject to a natural process of wear and aging. Subject to change.